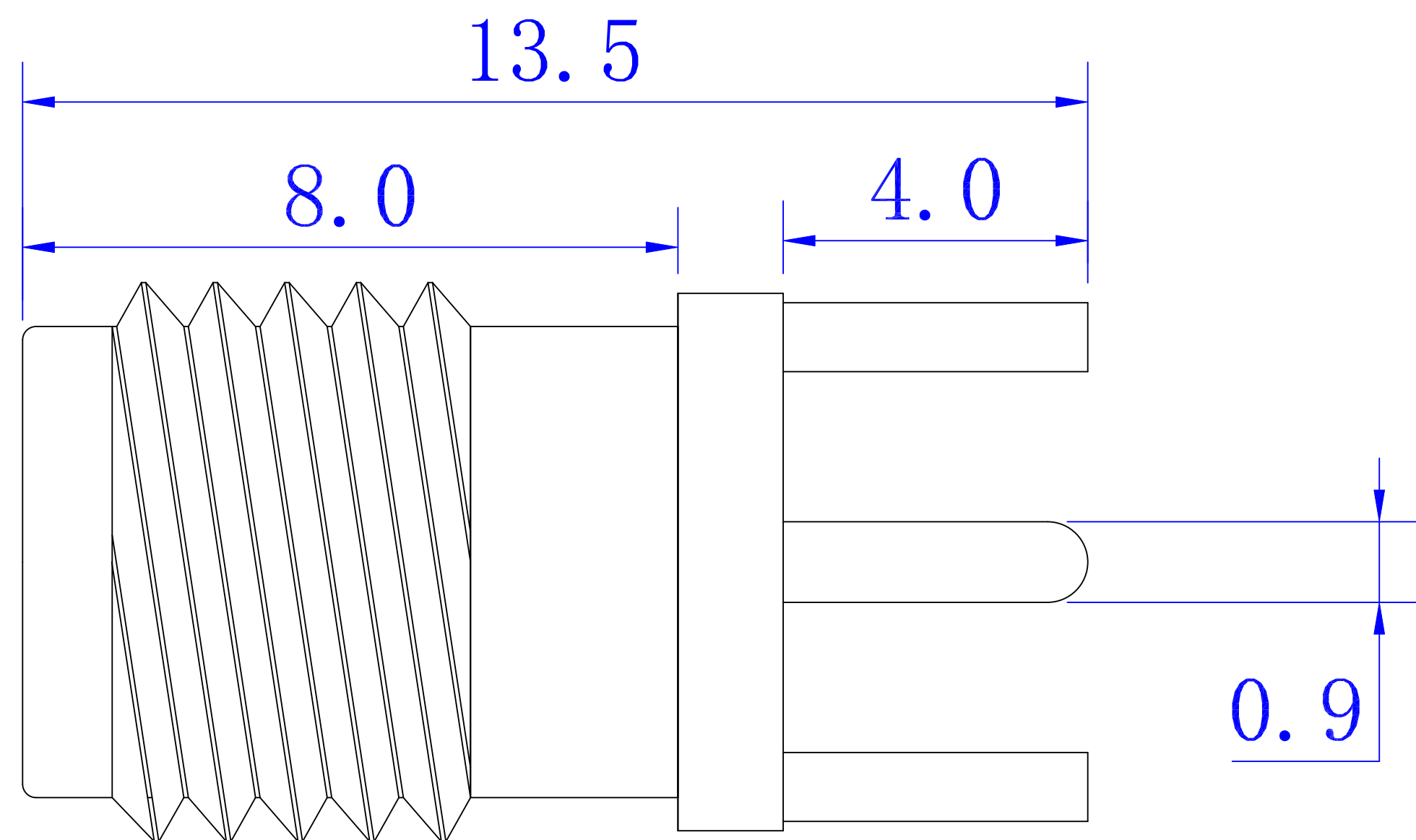
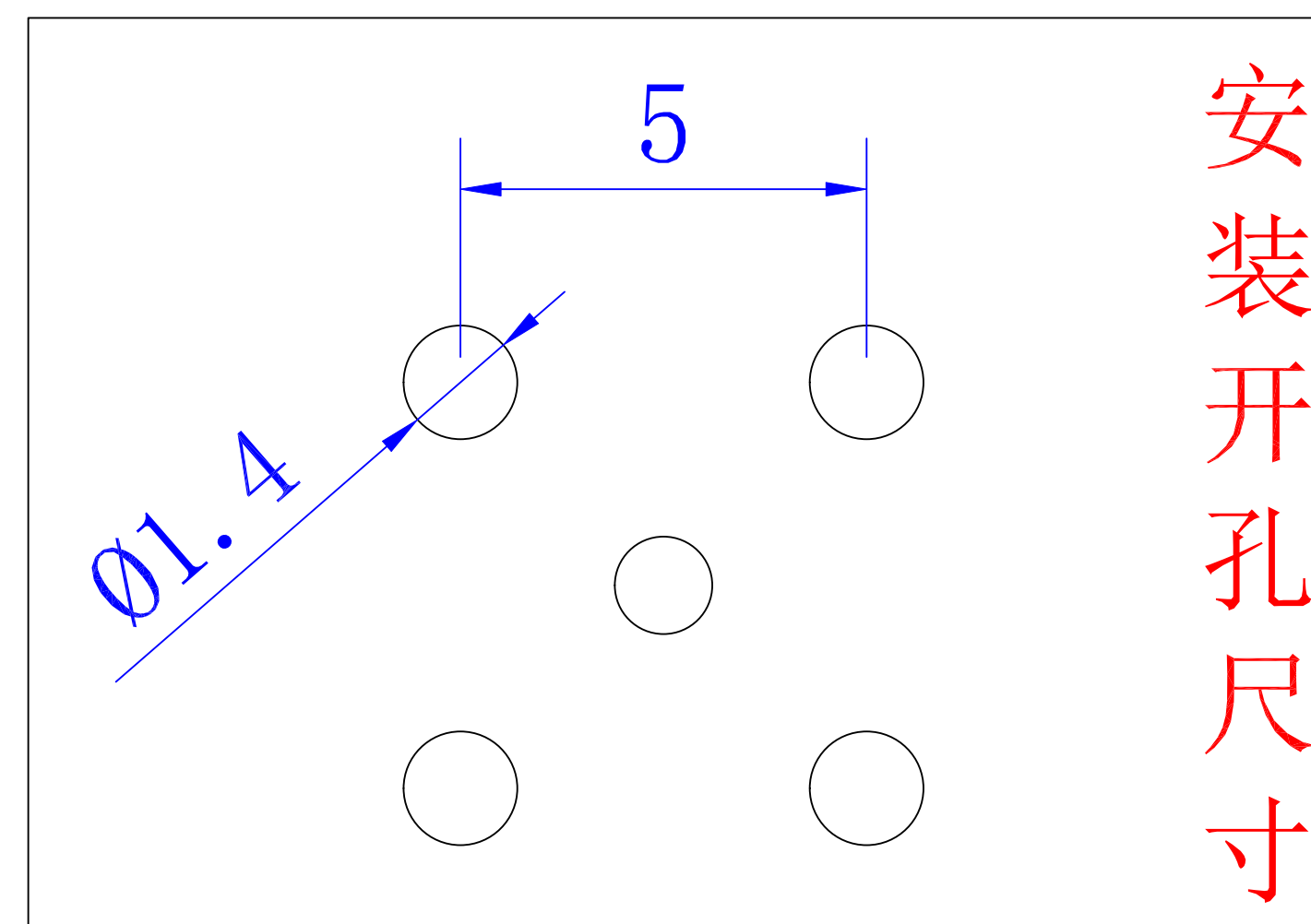
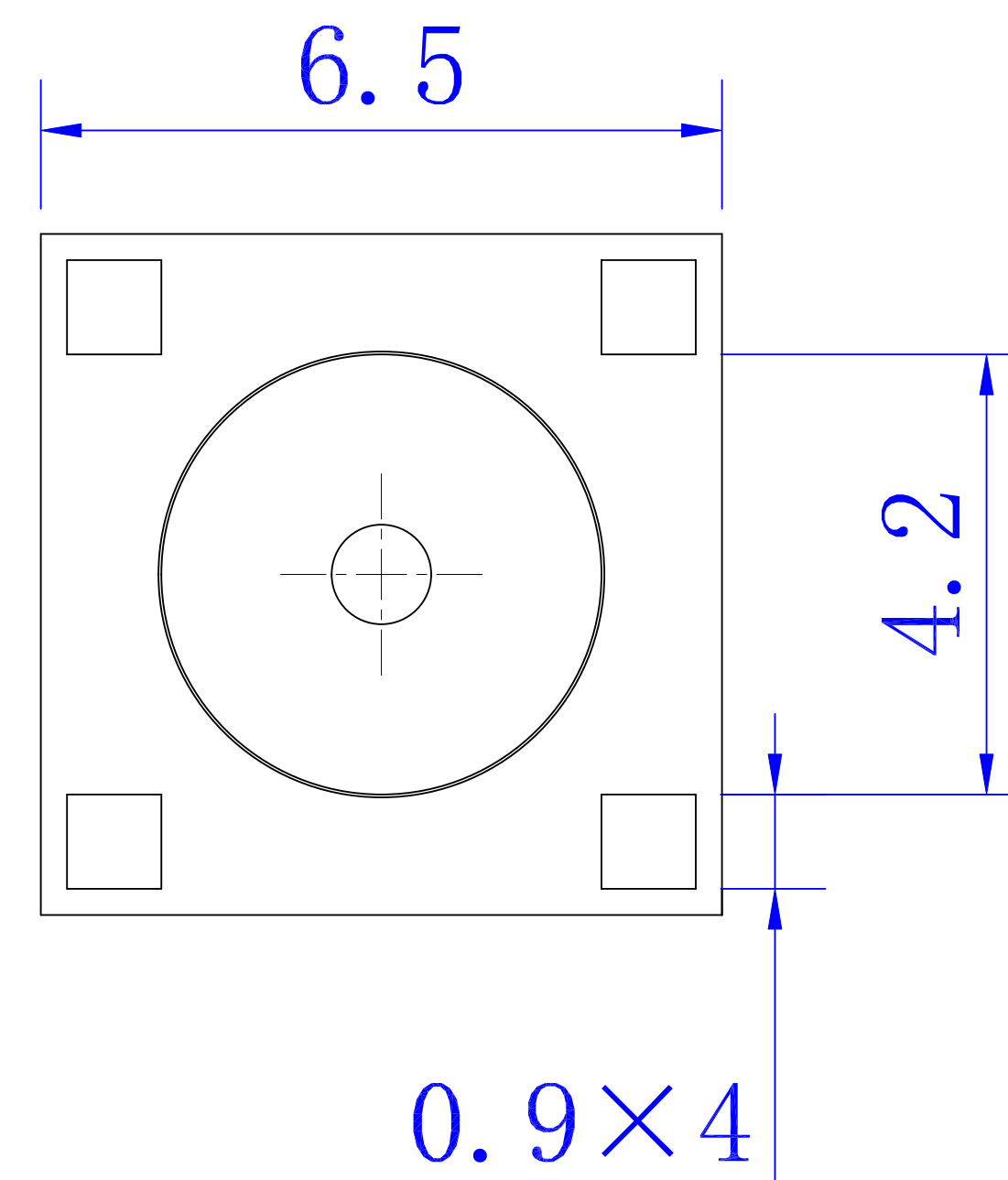


D:21-10-15



1/4-36UNS-2A


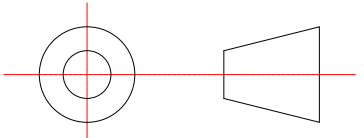


技术特性

- 温度范围: Temp.range -65~+165° C (PE Cable -40~+85° C)
- 振动: Vibration MIL-STD-202,Method 213
- 特性阻抗: Impedance 50 Ω
- 频率范围: Frequency Range DC~0-6GHz
- 工作电压: Working Voltage 335V max (有效值)
- 耐压: Withstand Voltage 1000V rms (海平面最小值)
- 接触电阻: Contact resistance
- 内导体之间: Center Contact ≤ 3 mΩ
- 外导体之间: Outer Contact ≤ 2 mΩ
- 绝缘电阻: Insulation resistance ≥ 5000 MΩ
- 插入损耗: Insertion loss ≤0.15 dB/6GHz

产品包装方式:

- 1, PE袋套装 每包100PCS
- 2, 外箱封装 每箱2K-5K 按照实际需求来定

GENERAL TOLERANCE (UNLESS SPECIFIED)	DWN	
	CHK	
≤10 ±0.1	APVD	TITLE 连接器
<10~≤20 ±0.2	UNIT MM	REV A
<20~≤50 ±0.5	SIZE A4	SHEET 1 OF 1
Angle ±3°	PART NO SMA-KE	
 THIRD ANGLE	DRAWING NO STA-10202	