

SPECIFICATIONS

PCI-E Connector

Mechanical

Contact Retention Force: 4.9N min. per pin
Durability: 50 Cycles
Insertion Force(Per Contact pair): 1.15N max per contact pair
Removal Force(Per Contact pair): 0.15N min per contact pair.

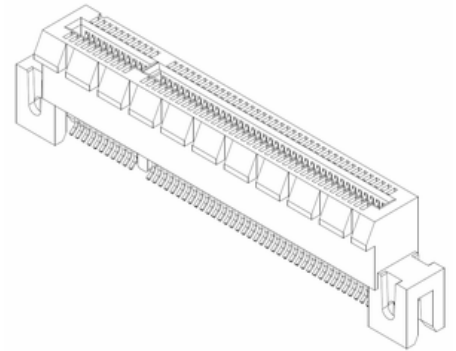
Straddle Mount Type
1.00mm [.039"] Pitch
98 Pos.

Electrical

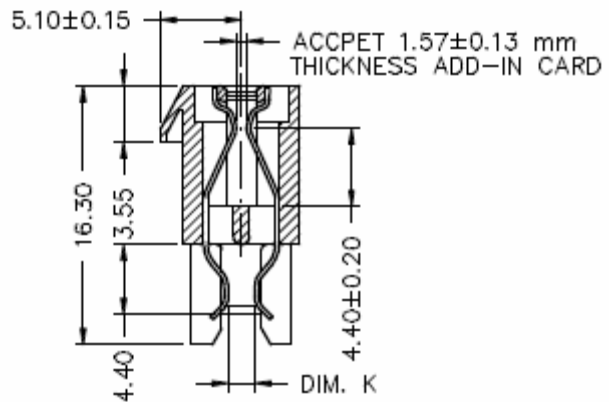
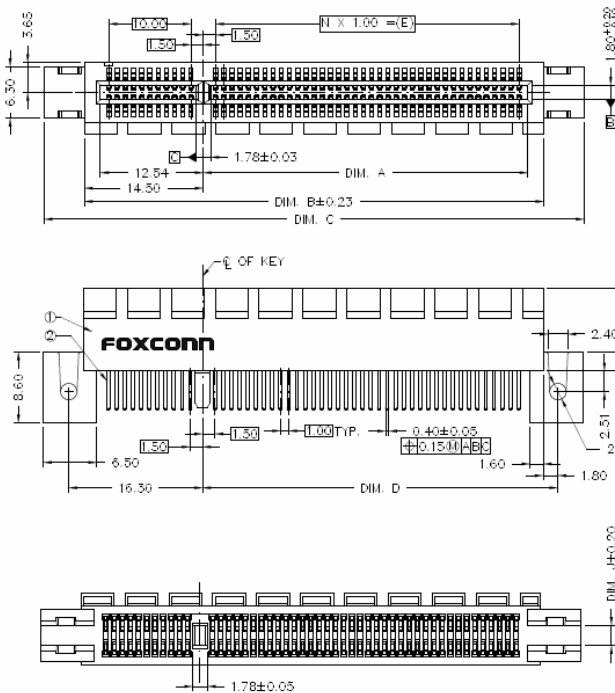
Current Rating: 1.1 A min per pin, 30°C above ambient
Insulation Resistance: 1000MΩ min. at 500V DC
Dielectric Withstanding Voltage: 500V AC min at Sea Level
Contact Resistance: 30mΩ max. initial, 50mΩ max. after test

Physical

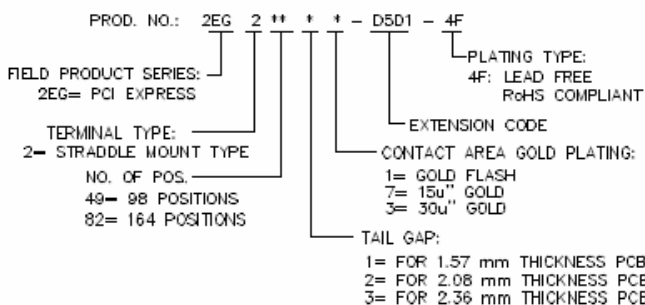
Housing: Thermoplastic; UL 94V-0; Color: Black
Contact: COPPER ALLOY
Operating Temperature: -40°C to +105°C



DRAWING



ORDERING INFORMATION



ITEM	DESCRIPTION	Q'TY	MATERIAL		TREATMENT				
2	CONTACT	SEE DENOMINATION	COPPY ALLOY		50u" NICKEL PLATING OVERALL UNDERPLATED, 100u" TIN PLATING OVER NICKEL AT TAIL, GOLD PLATING ON CONTACT AREA.				
1	HOUSING	1	THERMOPLASTIC UL 94V-0		MOLDED BLACK				
2EG2823*	D5D1-4F	70	72.54	89.00	98.8	76.30	70.00	2.65	2.02
2EG2822*	D5D1-4F							2.80	2.02
2EG2493*	D5D1-4F	37	39.54	56.00	65.8	43.30	37.00	2.50	1.80
2EG2491*	D5D1-4F							2.00	1.30
	PART NUMBER	N	DIM. A	DIM. B	DIM. C	DIM. D	DIM. E	DIM. J	DIM. K