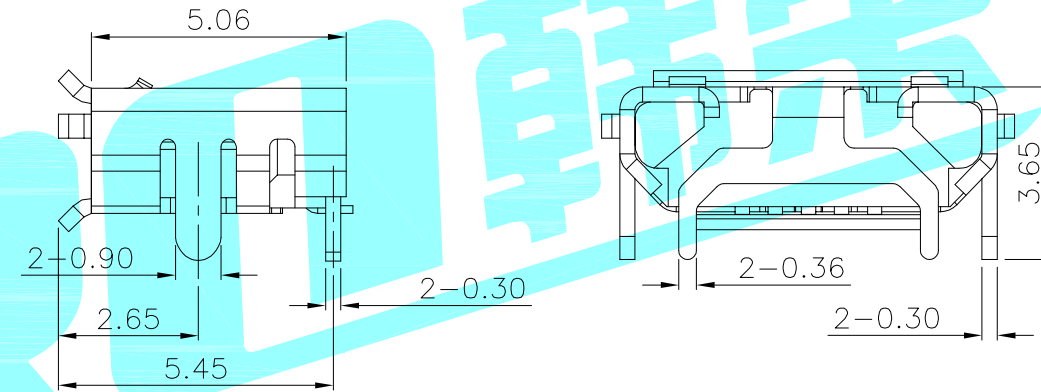


Recommended PCB Layout



SPECIFICATIONS

- 1.RATING: DC30V 1.0A
- 2.MECHANICAL LIFE: 10,000 CYCLES.

| ③ | Shell | — | 1 | Phosphor Bronze | Sn Plated | — |
|------|-----------|---------|------|-----------------|-----------|--------|
| ② | Contact | — | 5 | Phosphor Bronze | Au Plated | — |
| ① | Housing | — | 1 | LCP | Black | — |
| ITEM | PART NAME | TER'NO. | QTY. | MATERIAL | FINISHING | REMARK |

| | | | | | | | |
|----------------|---------|-----------|--------------|-------------|-------------------------|--------------|---------------|
| APPROVALS | | | DATE | | ELECTRONICS CO.,LTD | | |
| DRAWN | JKUN.LU | 2015/3/29 | | TITLE: | | | USB CONNECTOR |
| CHECKED | | | | PART NO. | | | U-F-M5DD-Y-L2 |
| APPROVALS | | | | | UNIT: mm | SCALE: 1:1 | |
| TOLERANCES ARE | | | 30~以上 | \pm 0.30 | ANGLE | UNIT: mm | |
| | | | 10~30 | \pm 0.25 | | | |
| | | | 5~10 | \pm 0.20 | | | |
| | | | ~ 5 | \pm 0.15 | | | |
| | | | \pm 2' | DRAWING NO. | | PROJ: | |
| ECN NO. | REV. | DATE. | DESCRIPTION. | | | SHEET 1 OF 1 | |

| — | A | — | NEW | — | — | — |
|---------|------|-------|--------------|---------|--------|--------|
| ECN NO. | REV. | DATE. | DESCRIPTION. | CHANGE. | CHECK. | APPRO. |