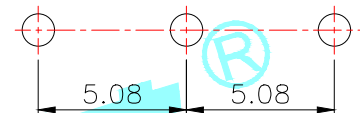
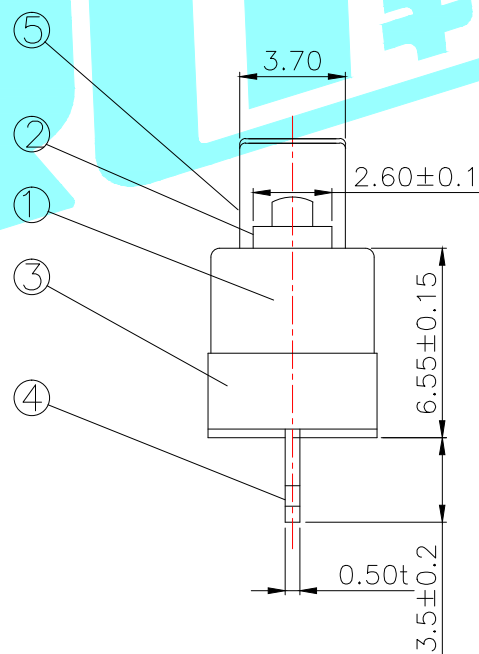
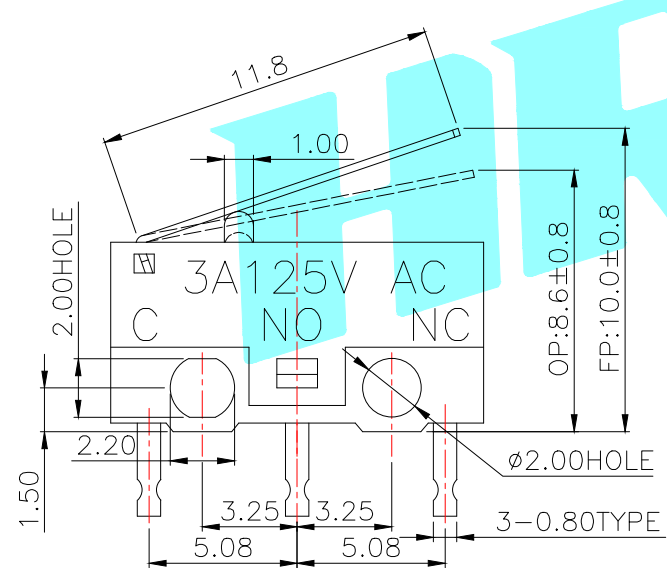


Circuit Diagram



P.C.B layout



NOTE:

- 1. Rating: AC125V 3A
- 2. OP: 8.6±0.8
- 3. Operating force: 30±15gf
- 4. Mechanical Life: 1,000,000
- 5. Electrical life: 10,000

ITEM	PART NAME	TER'NO.	QTY.	MATERIAL	FINISHING	REMARK
⑦	Shrapnel	—	1	Beryllium Copper	—	—
⑥	Contact	—	1	Ag	—	—
⑤	Lever	—	1	Stainless Steel	—	—
④	Terminal	—	3	Brass(0.50t)	Plating silver	—
③	Housing	—	1	PBT	White	—
②	Knob	—	1	POM	White	—
①	Cover	—	1	PBT	Black	—

APPROVALS		DATE	HRO 韓榮® ELECTRONICS CO.,LTD			
DRAWN	LIUCAN	2021.8.31	TITLE:	MICRO SWITCHS		
CHECKED			PART NO.	K9-1267H-3A		
APPROVALS			TOLERANCES ARE	30~以上 ±0.30 10~30 ±0.20 5~10 ±0.15 ~ 5 ±0.10	ANGLE	UNIT: mm SCALE: 1:1 PROJ:
				±2'	DRAWING NO.	SHEET 1 OF 1

ECN NO.	REV.	DATE.	DESCRIPTION.	CHANGE.	CHECK.	APPRO.
	A		NEW			