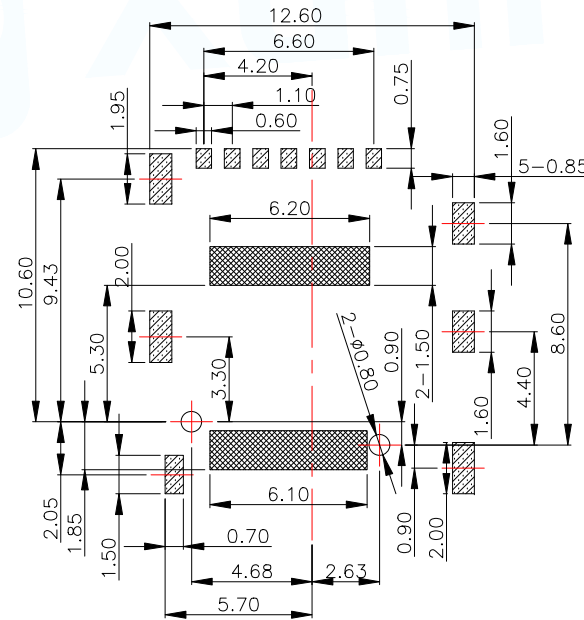
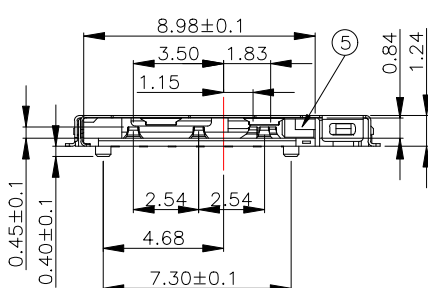
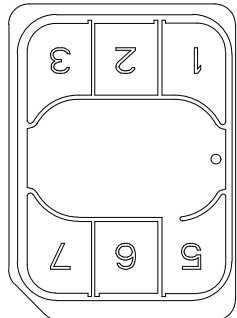


NOTES:  
 1. FINISH:  
 1.1 CONTACT:  
 50u"MIN NICKEL UNDER PLATED, 1u"MIN GOLD PLATING ON CONTACT AREA, GOLD FLASH PLATING ON SOLDERING AREA  
 1.2 SHELL:  
 30u" NICKEL UNDER PLATED; 1u"MIN GOLD PLATING ON SOLDERING AREA.  
 2. ELECTRICAL REQUIREMENTS:  
 2.1 RATED CURRENT: 0.5A  
 2.2 CONTACT RESISTANCE: 50mΩ MAX  
 2.3 INSULATION RESISTANCE: 1000MΩ MIN 200V DC FOR 1 MINUTE  
 2.4 DIELECTRIC WITHSTANDING VOLTAGE: 500V AC FOR 1 MINUTE.  
 3. MECHANICAL REQUIREMENTS:  
 DURABILITY: 3000 CYCLES MIN.  
 4. ENVIRONMENTAL REQUIREMENTS:  
 4.1 OPERATING TEMP: -30℃~+85℃  
 4.2 STORAGE TEMP: -40℃~+85℃  
 5. RECOMMENDED PROCESS CONDITION:  
 IR-REFLOW, PEAK TEMPERATURE AND TIME: 250℃, 5-10S  
 6. METAL MASK THICKNESS 0.10MM MIN

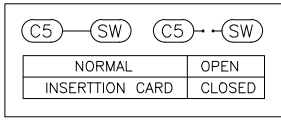


7	SPRING	1	THERMOPLASTIC RATING UL94V-0
6	LINK	1	STAINLESS STEEL
5	SLIDE	1	STAINLESS STEEL
4	DETECT PIN	1	COPPER ALLOY
3	CONTACT	1	COPPER ALLOY
2	SHELL	1	STAINLESS STEEL
1	HOUSING	1	LCP UL94V-0
NO.	DESCRIPTION	Q'TY	Material



Connector Pin Assignment

NANO SIM CARD	
Pin No.	NAME
C1	VCC OF SIM
C2	RST OF SIM
C3	CLK OF SIM
C5	GND OF SIM
C6	VPP OF SIM
C7	I/O OF SIM
SW	Detection Switch



RECOMMENDED PCB LAYOUT  
 GENERAL TOLERANCE ±0.05

MANUFACTURE DWG

UNLESS OTHERWISE SPECIFIED TOLERANCES

DECIMALS: .X:±0.30 .XX:±0.20 .XXX:±0.10

ANGLES: X':±3° X.X':±2'

CUSTOMER COPY

东莞市讯普电子科技有限公司  
 DongGuan XunPu Electronics Co.,Ltd

TITLE: 1.24 NANO SIM PUSH CONN CUSTOMER

PAR SMN-302-ACP7

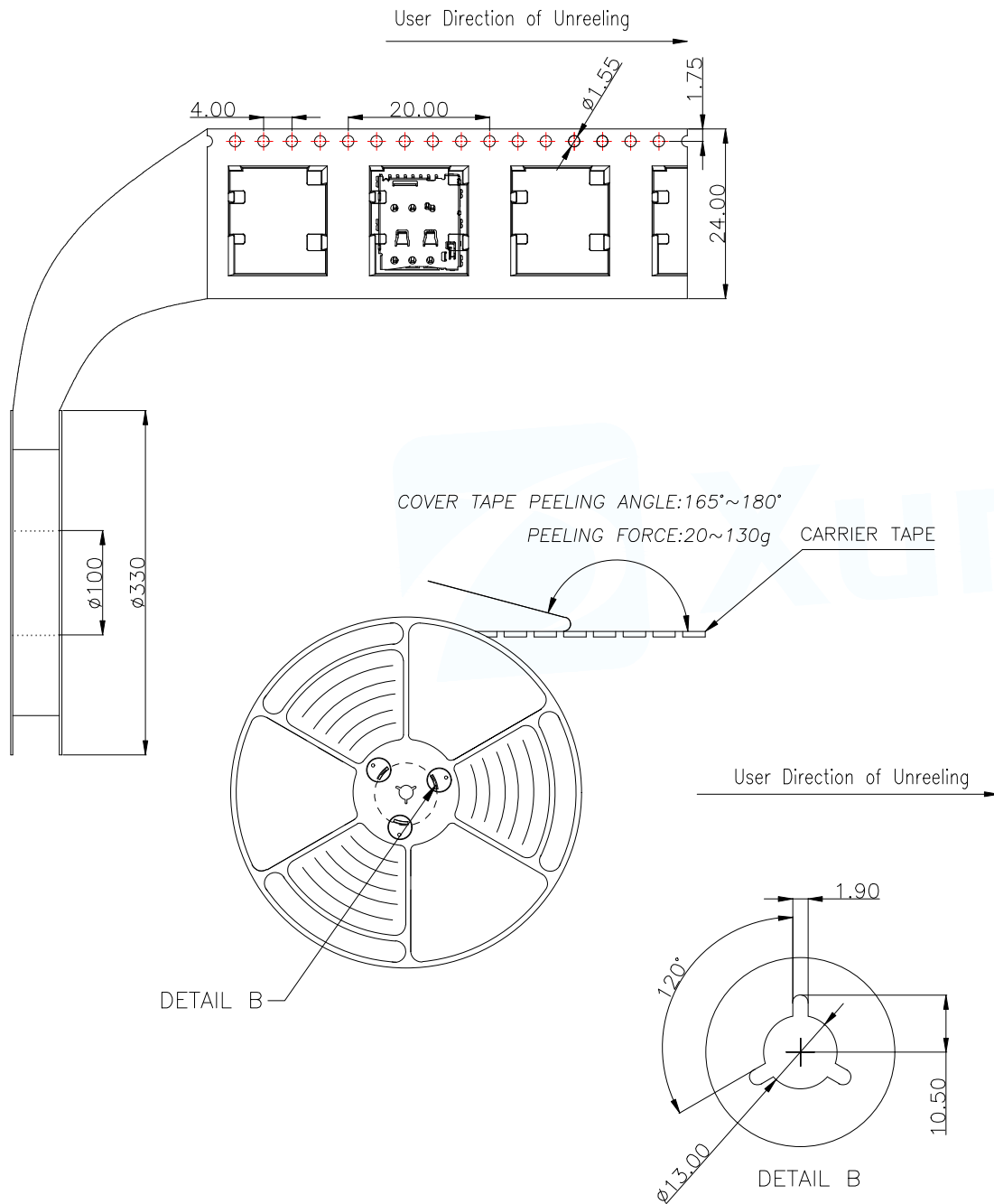
DWN

CHKD

APVD

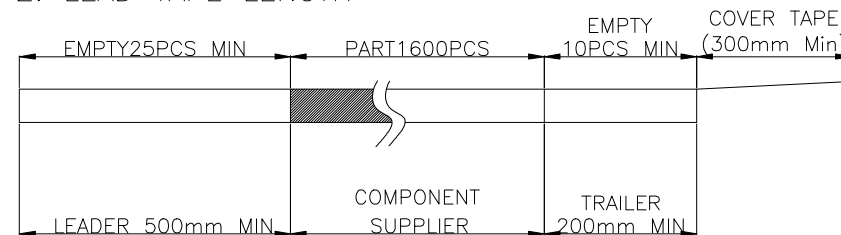
SCALE: 1:1 UNIT: MM

SIZE: A4 SHEET: 1F1 REV: A

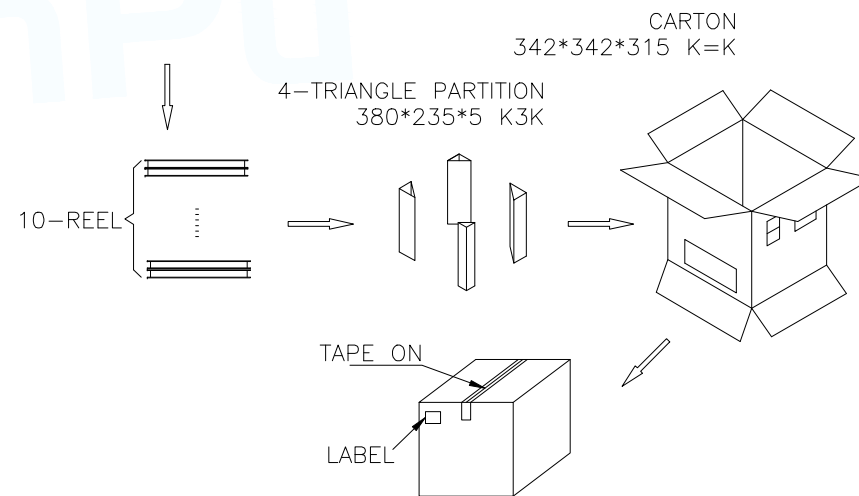


NOTES

1. NUMBER OF CONNECTORS: 1600PCS/REEL
2. LEAD TAPE LENGTH



3. QUANTITY: 16000PCS/CARTON
4. WEIGHT :
  - 3.1 NET WEIGHT : Kg
  - 3.2 GROSS WEIGHT : Kg



MANUFACTURE DWG			东莞市讯普电子科技有限公司 DongGuan XunPu Electronics Co.,Ltd		
UNLESS OTHERWISE SPECIFIED TOLERANCES			TITLE: 1.24 NANO SIM PUSH CONN CUSTOMER		
DECIMALS:	ANGLES:	PAR	SMN-302-ACP7		
.X: ±0.30	X.' : ±3°	DWN			
.XX: ±0.20	X.X' : ±2°	CHKD			
.XXX: ±0.10		APVD			
CUSTOMER COPY		SCALE 1:1	UNIT: MM		
		SIZE: A4	SHEET: 1F1	REV: A	