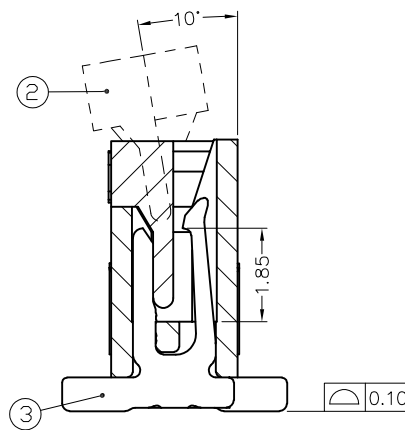
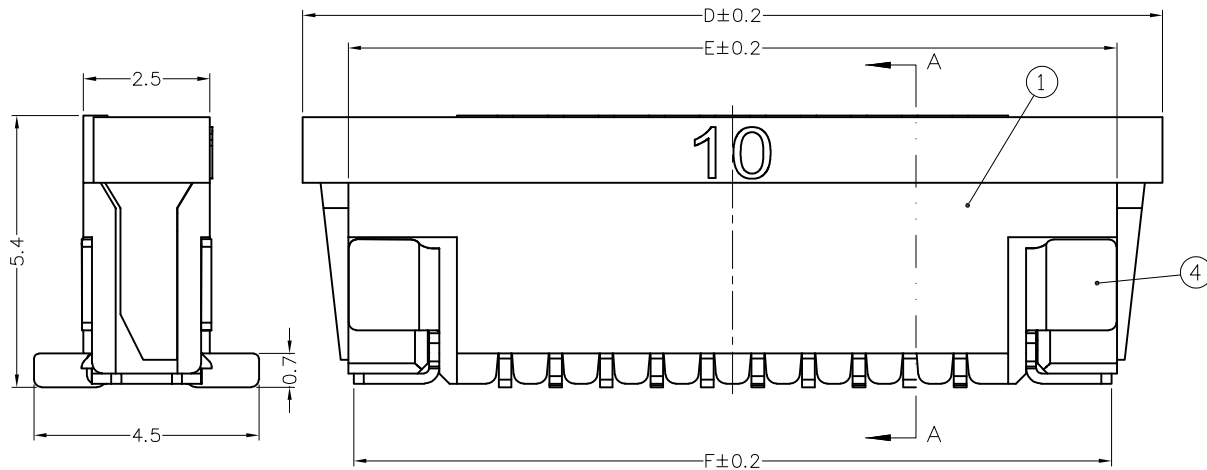
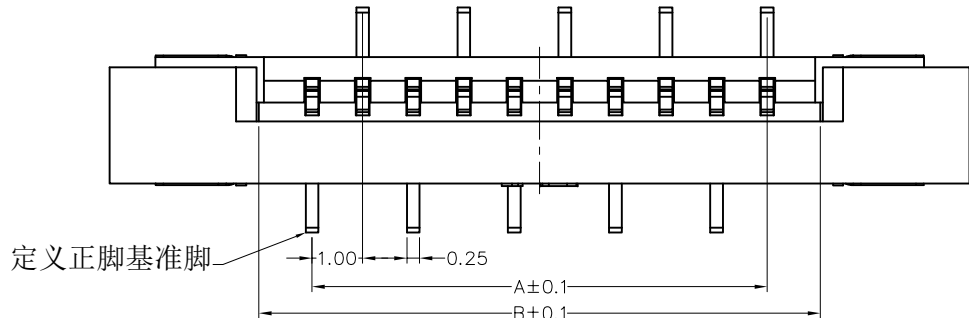


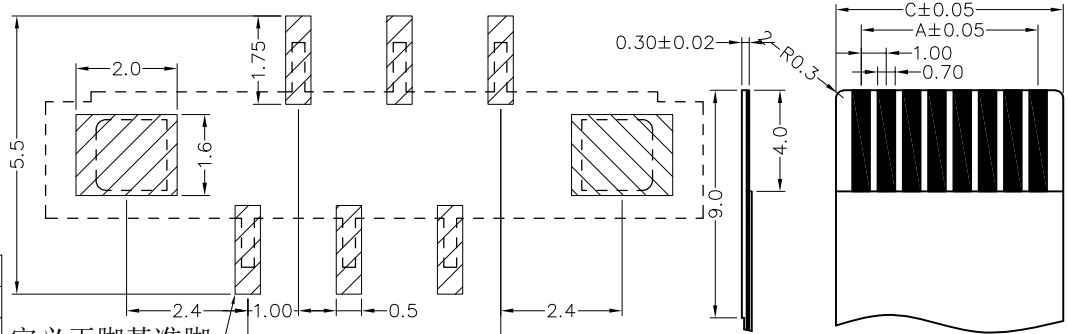
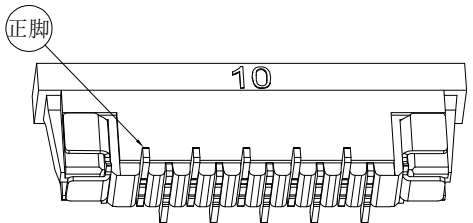
RoHS

1.0mm PITCH FPC CONNECTORS

EDITION	SUMMARY OF CHANGES	ISSUE DATE

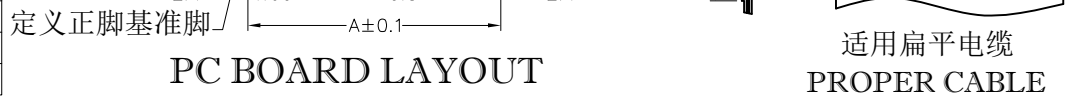


PIN	DIMA	DIMB	DIMC	DIMD	DIME	DIMF
4	3.0	5.1	5.0	11.0	9.2	9.0
5	4.0	6.1	6.0	12.0	10.2	10.0
6	5.0	7.1	7.0	13.0	11.2	11.0
7	6.0	8.1	8.0	14.0	12.2	12.0
8	7.0	9.1	9.0	15.0	13.2	13.0
9	8.0	10.1	10.0	16.0	14.2	14.0
10	9.0	11.1	11.0	17.0	15.2	15.0
11	10.0	12.1	12.0	18.0	16.2	16.0
12	11.0	13.1	13.0	19.0	17.2	17.0
13	12.0	14.1	14.0	20.0	18.2	18.0
14	13.0	15.1	15.0	21.0	19.2	19.0
15	14.0	16.1	16.0	22.0	20.2	20.0
16	15.0	17.1	17.0	23.0	21.2	21.0
17	16.0	18.1	18.0	24.0	22.2	22.0
18	17.0	19.1	19.0	25.0	23.2	23.0
19	18.0	20.1	20.0	26.0	24.2	24.0
20	19.0	21.1	21.0	27.0	25.2	25.0
21	20.0	22.1	22.0	28.0	26.2	26.0
22	21.0	23.1	23.0	29.0	27.2	27.0
23	22.0	24.1	24.0	30.0	28.2	28.0
24	23.0	25.1	25.0	31.0	29.2	29.0
25	24.0	26.1	26.0	32.0	30.2	30.0
26	25.0	27.1	27.0	33.0	31.2	31.0
27	26.0	28.1	28.0	34.0	32.2	32.0
28	27.0	29.1	29.0	35.0	33.2	33.0
29	28.0	30.1	30.0	36.0	34.2	34.0
30	29.0	31.1	31.0	37.0	35.2	35.0
31	30.0	32.1	32.0	38.0	36.2	36.0
32	31.0	33.1	33.0	39.0	37.2	37.0
33	32.0	34.1	34.0	40.0	38.2	38.0
34	33.0	35.1	35.0	41.0	39.2	39.0
35	34.0	36.1	36.0	42.0	40.2	40.0
36	35.0	37.1	37.0	43.0	41.2	41.0



Electrical
 rated current:0.5A AC(rms)/DC
 nominal voltage:50V AC(rms)/DC
 Dielectric Withstanding Voltage:500V AC/rms
 Contact Resistance:≤20 mΩ max(initial)
 Insulation Resistance:800 MΩ min
 Operating Temp:-20℃~+85℃

④	FITTING	PHOSPHOR BRONZE	PDR-100-SK
③	TERMINAL	PHOSPHOR BRONZE	PDR-10-S005/6
②	LATCH	LCP(BLACK)UL94V-0	LOB-NA
①	HOUSING	LCP(NATURAL)UL94V-0	LOB-NY
SERIAL NUMBER	NAMER	MATERIALS	PART NUMBER



深圳市钜硕电子有限公司 SHENZHEN JUSHUO ELECTRONIC CO.,LTD	GENERAL TOLERANCE .X ±0.5 X° ±2° .XX ±0.2 .X° ±1° .XXX ±0.05 .XX° ±0.5°		UNIT: mm	DRAWN:	DATE: 2020/03/27	ITEM: 1.0mm FPC 立贴式(有焊片正脚)	TITLE: 工程图
	ANGLE PROJECTION 		SCALE: 1:1	CHECK:	DATE:		PART NO: AFA11-S**GLA-00
			SIZE: A4	APPROVE:	DATE:		