

NOTES1:

- UL Standard
- 1. Rated voltage/current : 300V / 15A
- 2. Withstanding voltage : AC1600V/1Min.

IEC Standard

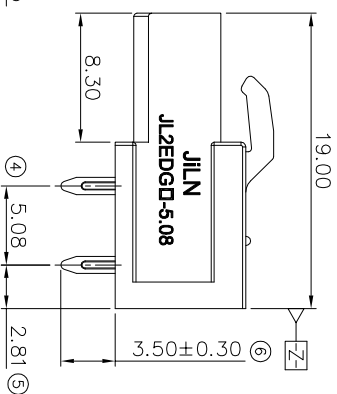
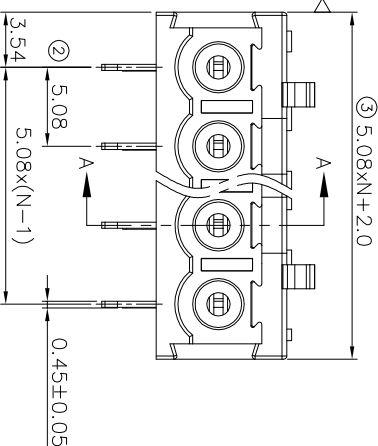
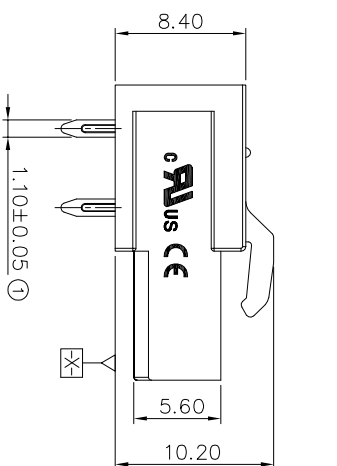
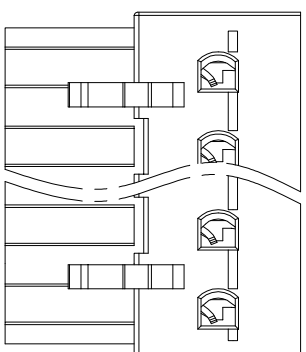
1. Pollution degree	2	2	3
Overvoltage category	II	III	III
Rate impulse voltage(KV)	4KV	4KV	4KV
Rate voltage(V)	630V	320V	320V
Rate current(A)	20A		

NOTES2:

- 1. Dimension shall be interpreted per ASME Y14.5-2009
- 2. Pitch : 5.08mm, Poles : N=02~24P
- 3. Operating temperature: -40°C~+105°C
- 4. Undimensioned tolerances:

Pitch range in mm		Nominal dimension range in mm		Tolerance	
Over	TO	Over	TO	Over	TO
6	10	30	60	0.1/10	
10	24	30	100		<
10	30	60	150		
±0.15	±0.20	±0.30	±0.50	±0.70	±1.00
				±1.30	±2

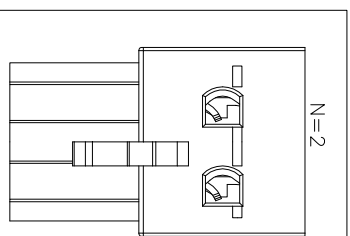
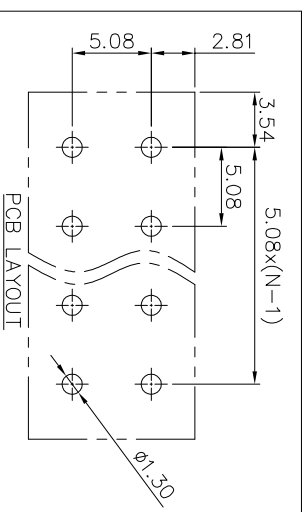
5. RoHS Compliance



Ordering Information

JL2EDGA - 508 XX G 0 1

- Pitch 508=5.08PH
- No. of pins 2P, 3P, 4P~12P
- Housing Color: B=Black, G=Green, U=Blue, R=Red, W=White, Y=Yellow, D=Drange, E=Grey
- Packing: 0=Pe bag, T=Tube, A=Tray



DRAW	SHUANGPING ZHENG		SCALE	FIT	PART NO.	JL2EDGA-508XXG01
	UNIT	mm		SIZE		A4
CHECK	LICHAD LIU		SHEET	1/1	TITLE:	JL2EDGA-5.08-XXP插拔式母座/弯脚绿色
APPROVE	YONGLIANG GAO		PRD			

JILIN 东莞市锦凌电子有限公司
DONGGUAN JINLING ELECTRONIC CO., LTD

REVISION RECORD				
REV	ECN	DESCRIPTION	DRFT	DATE
A0		NEW		21.06.10