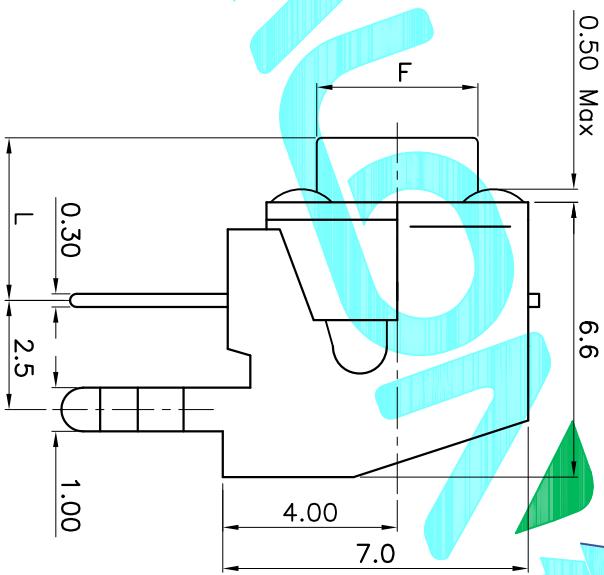
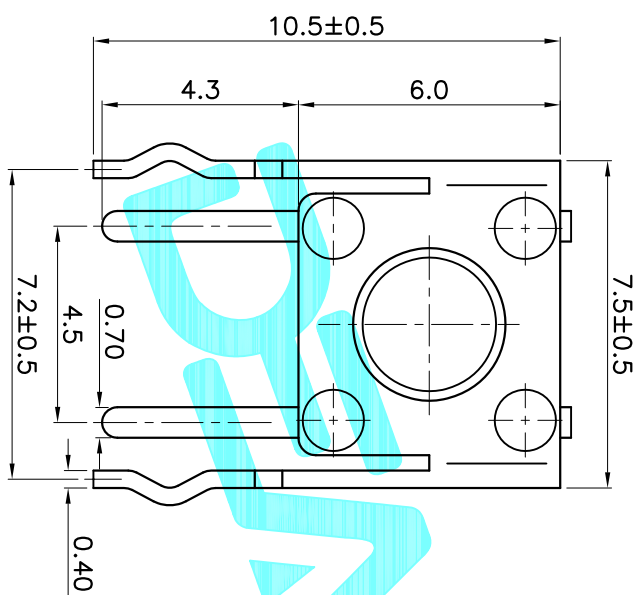


PCB Layout(Pattern side)



NO.1			
PART NO	H	L	F
A	4.3	3.15	φ3.40
B	4.5	3.25	φ3.40
C	5	3.85	φ3.40
E	6	4.85	φ3.40
G	7	5.85	φ3.20
I	8	6.85	φ3.00
K	9	7.85	φ3.00
L	9.5	8.35	φ3.00

NO.2	
PART NO	vigor
1	70±30
2	100±50
3	160±50
4	260±50
5	320±80
6	350±80
7	520±130

NO.4	
PART NO	NOTE
1~9	SERIAL NUMBER

NO.5	
PART NO	NOTE
B	Bulk
R	Tape&Reel

NO.3	
PART NO	MATERIAL/qty
S	SUS/1PC
C	C5210/1PC
D	SUS/2PCS
E	C5210/2PCS

ITEM	PART NAME	QTY.	MATERIAL	FINISHING
⑤	Terminal	4	Brass(0.30t)	Plating silver
④	Contact	1	F.Ag/SUS	
③	Base	1	Nylon	Black
②	Cover	1	SPCC	Plating Nickel
①	Keystoke	1	PA46	Black

APPROVALS		DATE
DRAWN	G.M.Chen	2014/12/25
CHECKED		
APPROVALS		

**DEALON** 德隆  
ELECTRONICS CO.,LTD

ECN NO.	REV.	DATE.	DESCRIPTION.	CHANGE.	CHECK.	APPRO.	TOLERANCES ARE	30~φ1.1	±0.30	ANGLE	PART NO.	SCALE: 1:1	SHEET 1 OF 1
	A		NEW				10~φ1.0	±0.20			TC-1105AH-XXN-XXX		
							φ~10	±0.13	±2°				
							~5	±0.10					PROJ.