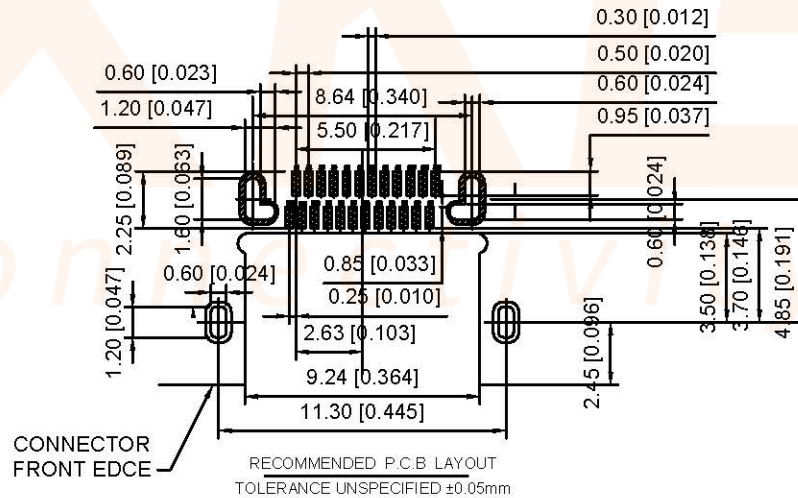
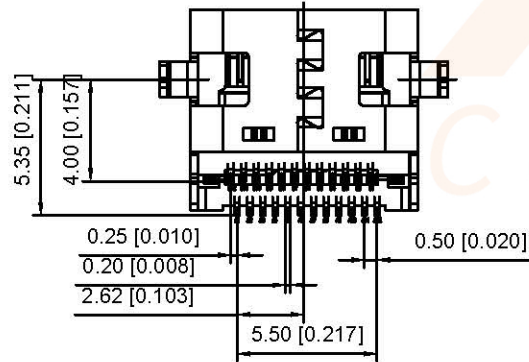


Material  
 Housing Material: High temperature thermoplastic  
 Contact Terminal: High Grade Copper Alloy  
 Metallic Shell: Stainless Steel  
 Inner Ground Cover Shell: Stainless Steel  
 Mid Plate: Stainless Steel  
 Plating  
 Data Contact  
 Underplating: 50µ" Min. Nickel  
 Contact Plating: 1µ" Gold  
 Solder Area: 80µ" Matte Tin  
 Shell  
 Metallic Shell: 50µ" Min. Nickel  
 Cover Shell  
 Metallic Shell: 80µ" Min. Nickel  
 Inner Ground Cover Shell  
 Metallic Shell: 50µ" Min. Nickel  
 Electrical  
 Voltage Rating: 20V DC  
 Current Rating: Vbus pins collectively 5.00A, GND pins collectively 8.25A, B5 pin 1.25A, Other pins 0.25A per pin.  
 Contact Resistance: 40mΩ Max.  
 Insulation resistance: 100 MΩ MIN.  
 Dielectric withstanding voltage: 100V AC/Minute  
 Mechanical  
 Durability: 10,000 cycles  
 Mating Force: 5 to 20N  
 Unmating Force: 8 to 20N (post test)

|     |             |     |             |
|-----|-------------|-----|-------------|
| A1  | GND         | B12 | GND         |
| A2  | SSTXP1      | B11 | SSRXP1      |
| A3  | SSTXN1      | B10 | SSRXN1      |
| A4  | VBUS        | B9  | VBUS        |
| A5  | CC1         | B8  | SBU2        |
| A6  | DP1         | B7  | DN2         |
| A7  | DN1         | B6  | DP2         |
| A8  | SBU1        | B5  | CC2         |
| A9  | VBUS        | B4  | VBUS        |
| A10 | SSRXN2      | B3  | SSTXN2      |
| A11 | SSRXP2      | B2  | SSTXP2      |
| A12 | GND         | B1  | GND         |
| PIN | SIGNAL NAME | PIN | SIGNAL NAME |



U262-24XN-4BVC16

1:AU 1U"  
 2:AU 3U"  
 5:AU 15U"  
 6:AU 30U"

| MARK | DESCRIPTION | DATE | REVISED | APPROVED | UNSPECIFIED TOLERANCES | DSND | DATE | SCALE: N/A  | MODEL TYPE: 3.1 TYPE C |
|------|-------------|------|---------|----------|------------------------|------|------|-------------|------------------------|
| ΔX   |             |      |         |          | ANGULAR ±5°            | DWN  | DATE | VIEW:       | PART NO.:              |
| ΔX   |             |      |         |          | L ≤ 4 ±0.2             | CHKD | DATE | UNIT: mm/in | DWG NO.:               |
| ΔX   |             |      |         |          | 4 < L ≤ 16 ±0.3        | APPD | DATE | SIZE: A4    | U262-24XN-4BVC16       |
|      |             |      |         |          | 16 < L ≤ 63 ±0.4       |      |      |             | WEIGHT                 |
|      |             |      |         |          | L > 63 ±0.5            |      |      |             | SHEET                  |
|      |             |      |         |          |                        |      |      |             | REVISION               |
|      |             |      |         |          |                        |      |      |             | 1.0g                   |
|      |             |      |         |          |                        |      |      |             | 1/1                    |
|      |             |      |         |          |                        |      |      |             | A0                     |