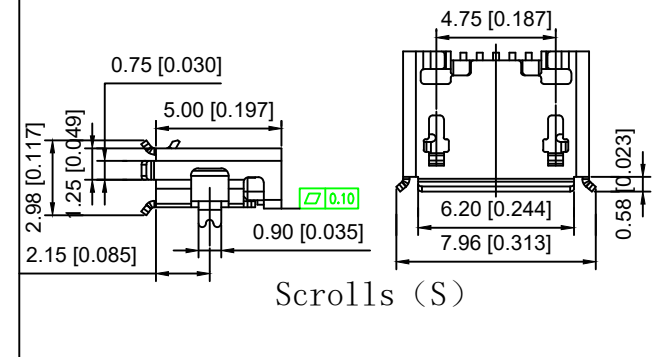
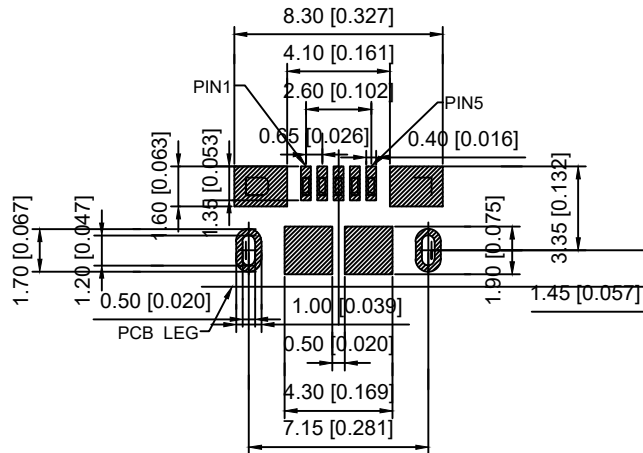
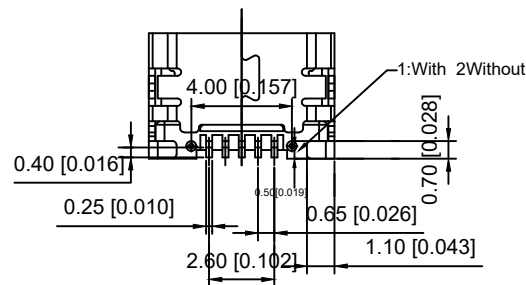
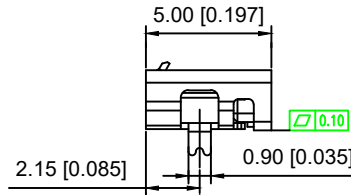
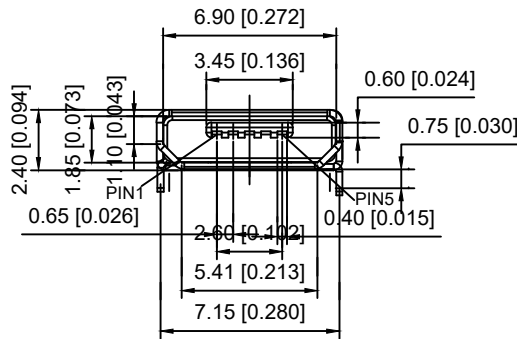


Flat (F)



Scrolls (S)



RECOMMENDED P.C.B. LAYOUT
TOP VIEW (TOLERANCE: ±0.05)

Material
Housing Material: LCP, UL94V-0, black
Contact Terminal: Copper Alloy
Metallic Shell: Sus
Electrical
Voltage Rating: 30 V AC
Current Rating: Signal (Pins 2,3,4): 1.0A, Power (Pins 1,5): 1.8A
Contact Resistance: 30mΩ Max
Insulation resistance: 1000MΩ Min
Dielectric withstanding voltage: 250V AC/Minute
Mechanical
Durability: 10,000 cycles
Mating Force: 35N (3.57Kgf) Max
Unmating Force: 8N (0.82Kgf) Min.

U254-05XX-4BH81-XXS
1:AU 1U"
6:AU 30U"
T:TIN
N:NICKEL
S:Sus
1:With 2:Without
S:Scrolls F:Flat

REVISIONS					UNSPECIFIED TOLERANCES	DSND	DATE	SCALE: N/A	MODEL TYPE:
ΔX					ANGLAR ±5°				MICRO USB
Δx					L ≤ 4 ±0.2	DWN	DATE	VIEW:	PART NO.:
Δx					4 < L ≤ 16 ±0.3	CHKD	DATE	UNIT: mm/in	DWG NO.:
MARK	DESCRIPTION	DATE	REVISED	APPROVED	16 < L ≤ 63 ±0.4	APPD	DATE	SIZE: A4	U254-05XX-4BH81-XXS
					L > 63 ±0.5				WEIGHT
						XKB INDUSTRIAL PRECISION CO., LIMITED			1.0g
									SHEET
									1/1
									REVISION
									A0