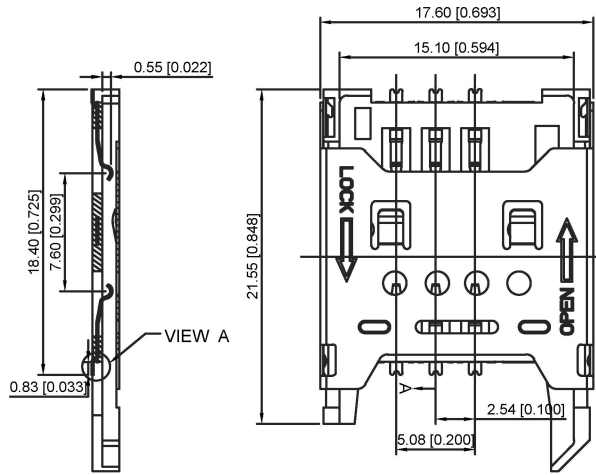
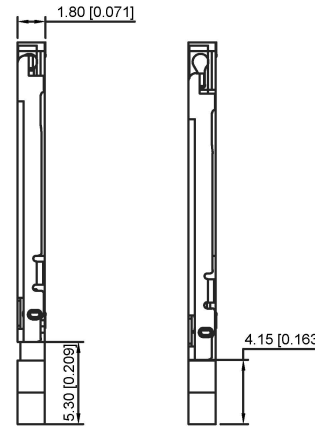


XKB CONNECTIVITY

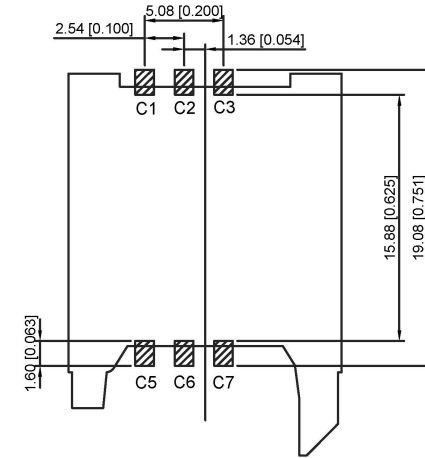


SECTION A-A

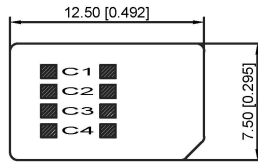
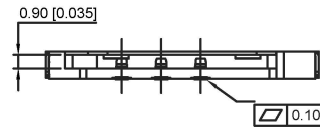
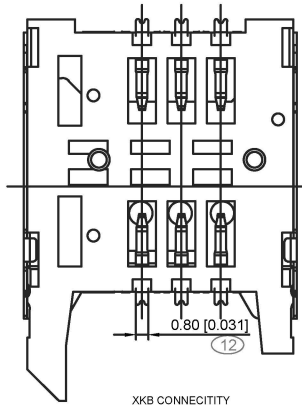


OPEN

LOCK



XKB CONNECTIVITY
REFERENCE PC BOARD LAYOUT



SIM CARD

XKB CONNECTIVITY

PIN NO.	PIN NAME
C1	Supply Voltage Vcc
C2	Reset (RST)
C3	Clock (CLK)
C5	Ground
C6	Programming Voltage Vpp
C7	I/O

XKB CONNECTIVITY

NOTES:

1. MATERIAL:

- 1) HOUSING MATERIAL: THERMOPLASTIC UL94V-0; COLOR: BLACK
- 2) CONTACT MATERIAL: COPPER ALLOY, T=0.15mm
- 3) SHELL MATERIAL: STAINLESS STEEL T=0.20mm

2. FINISH:

- 1) CONTACT FINISH: 50U" MINNICKEL UNDER PLATED PLATED 3u" Au ON CONTACT AREA; PLATED GOLD FLASH ON SOLDER AREA.

3. ELECTRICAL SPECIFICATIONS:

- 1) VOLTAGE RATING: 12VAC
- 2) CURRENT: 1 AMPERES MAX. PER CONTACT
- 3) OPERATION TEMPERATURE RANGE: -25° ~ +70°
- 4) CONTACT RESISTANCE: 60MΩ MAX.
- 5) INSULATION RESISTANCE: 1000MΩ MIN
- 6) DIELECTRIC WITHSTANDING VOLTAGE: 500V AC FOR 1 MINUTE
- 7) MAX PROCESSING TEMP: 260° for 30 SECONDS

广东星坤科技股份有限公司

生	日期
發	日期
ΔX	
MARK	
文件	工程章

REVISIONS

www.xk-ig.cn www.helloxkb.com www.helloxkb.cn

DSND	DATE	SCALE: N/A	MODEL TYPE: SIM CARD CONN
DWN	DATE	VIEW:	PART NO.:
CHKD	DATE	UNIT: mm/in	DWG NO.:
APPD	DATE	SIZE: A4	XKSIM-008
KXB INDUSTRIAL PRECISION CO., LIMITED			WEIGHT 1.0g
			SHEET 1/1
			REVISION A0