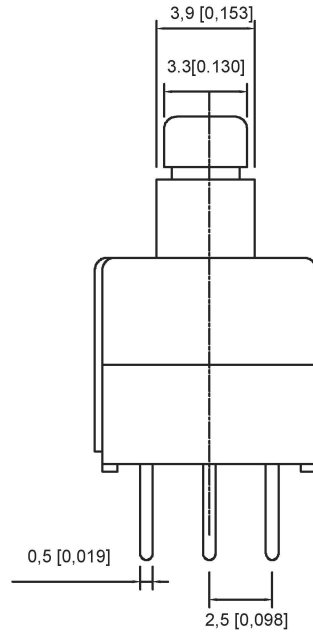
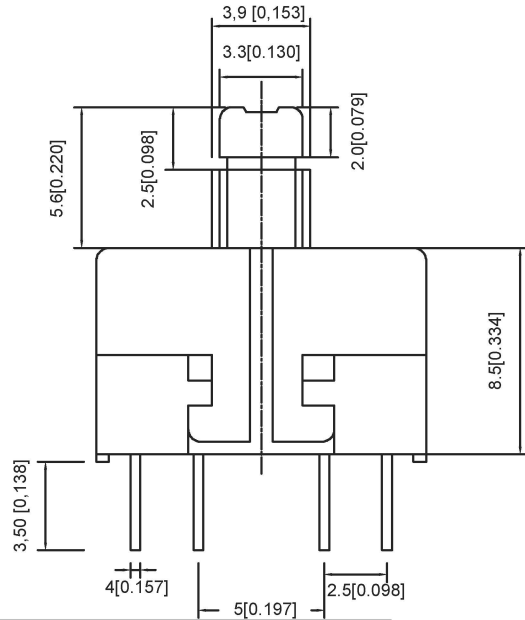


SCHEMATIC



FEATURES

- Light operating force
- Long term low contact resistance
- Momentary or latching operation
- Short stroke 1.5mm to latch
- Compact spacing on PCB of 13X 8.5mm

SPECIFICATIONS

1. ELECTRICAL

● Contact rating	0.1A, 30VDC
● Contact resistance	50mW Max
● Insulation resistance	100M W Min .at 250VDC
● Dielectric strength	250VAC Min .for 60sec

2. MECHANICAL AND ENVIRONMENTAL

● Temperature rating	Operating -15□ to +55□ storage -25□ to +65□
● Operation	160±80gf
● Stroke	Lock Stroke .15±0.2mm Full stroke, 25±0.2mm
● Operating life	Full load: 1 x 10 ⁴ cycles NO load: 1 x 10 ⁵ cycles
● Contact form	DPDT

PAPT NO	XKB1385-X
OPERATION	W:NO LOCK Z:LOCK

ITEM	PAPT NAMF	TER,NO	QTY	MATERIAL	FINISHING	REMARK
⑦	Contact	—	4	Phosphor bronze	Plating silvering	—
⑥	Terminal	—	12	Brass	Plating silvering	—
⑤	Spring	—	1	Sus	Natural	—
④	Base	—	1	Nylon		—
③	Crochet Needle	—	1	Sus	Natural	—
②	Cover	—	1	Nylon		—
①	Keystake	—	1	Nylon		—

广东星坤科技股份有限公司

生效	日期
ΔX	日期
ΔX	日期
ΔX	日期

DSND	DATE	SCALE: N/A	MODEL TYPE: KEY SWITCH
DWN	DATE	VIEW:	PART NO.:
CHKD	DATE	UNIT: mm/in	DWG NO.: XKB1385-X
APPD	DATE	SIZE: A4	
XKB INDUSTRIAL PRECISION CO., LIMITED			WEIGHT 1.0g
			SHEET 1/1
			REVISION A0

文件工程章

www.helloxkb.com www.helloxkb.cn