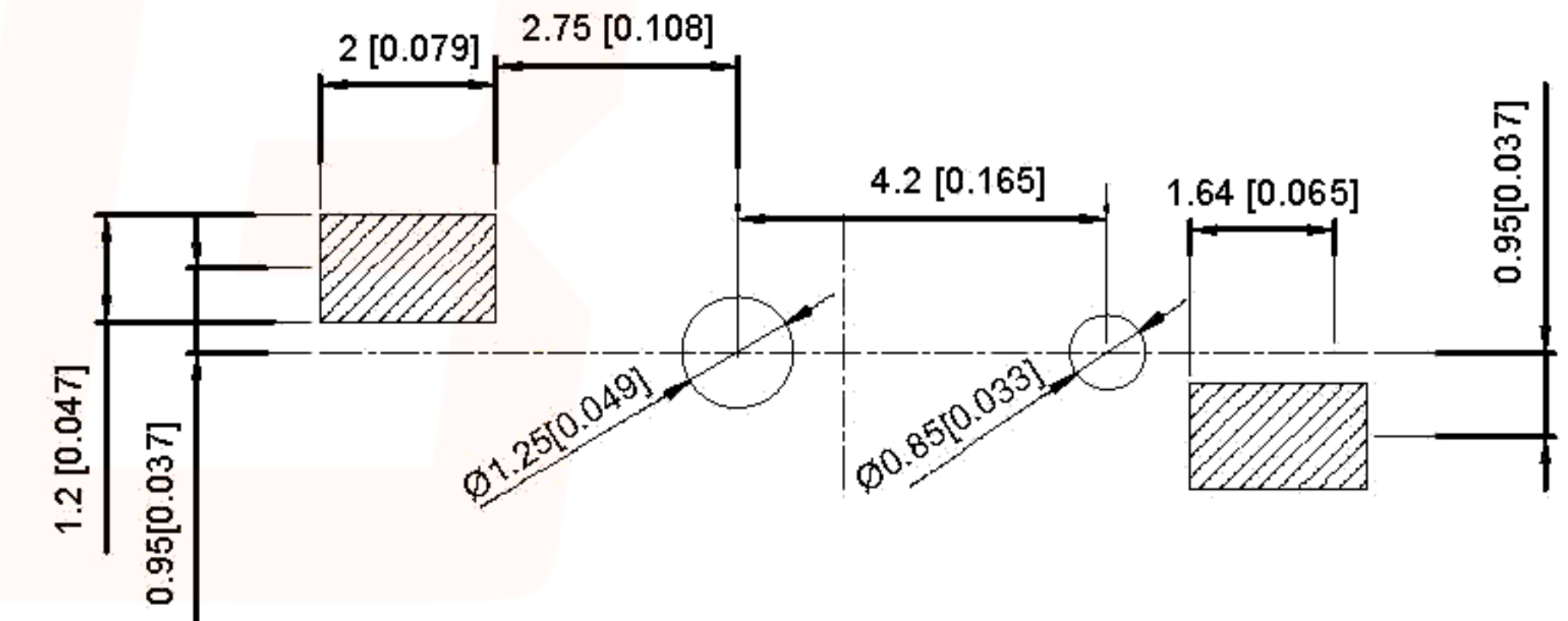
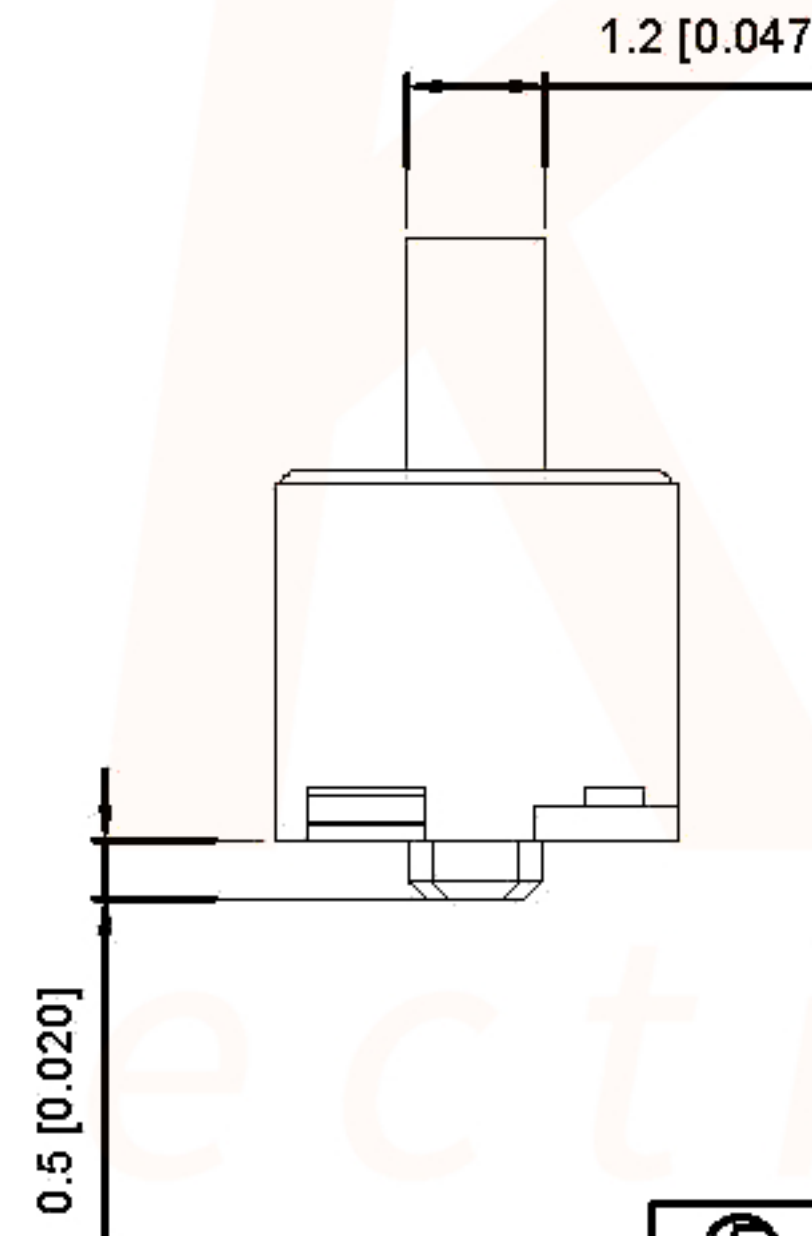
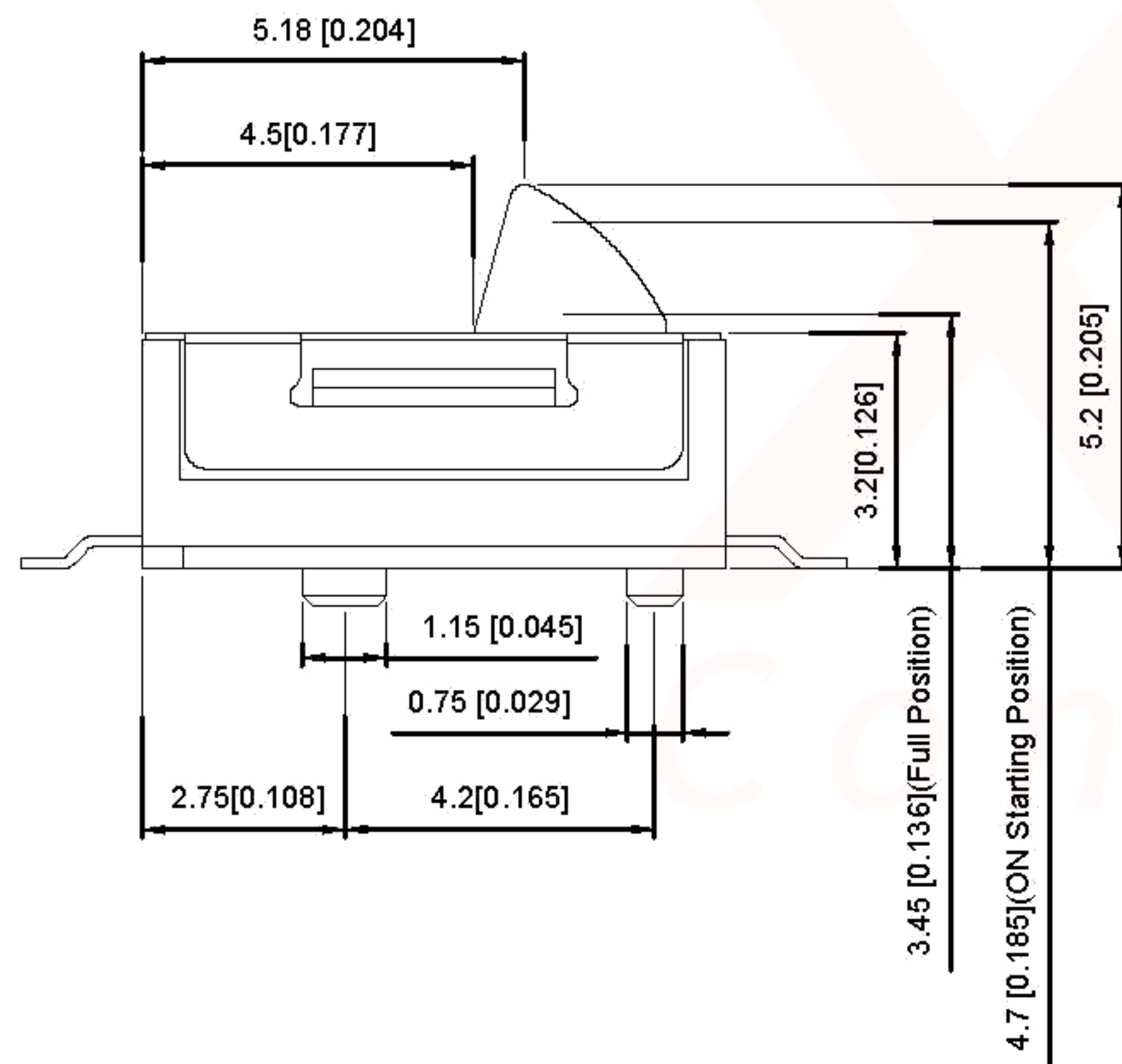
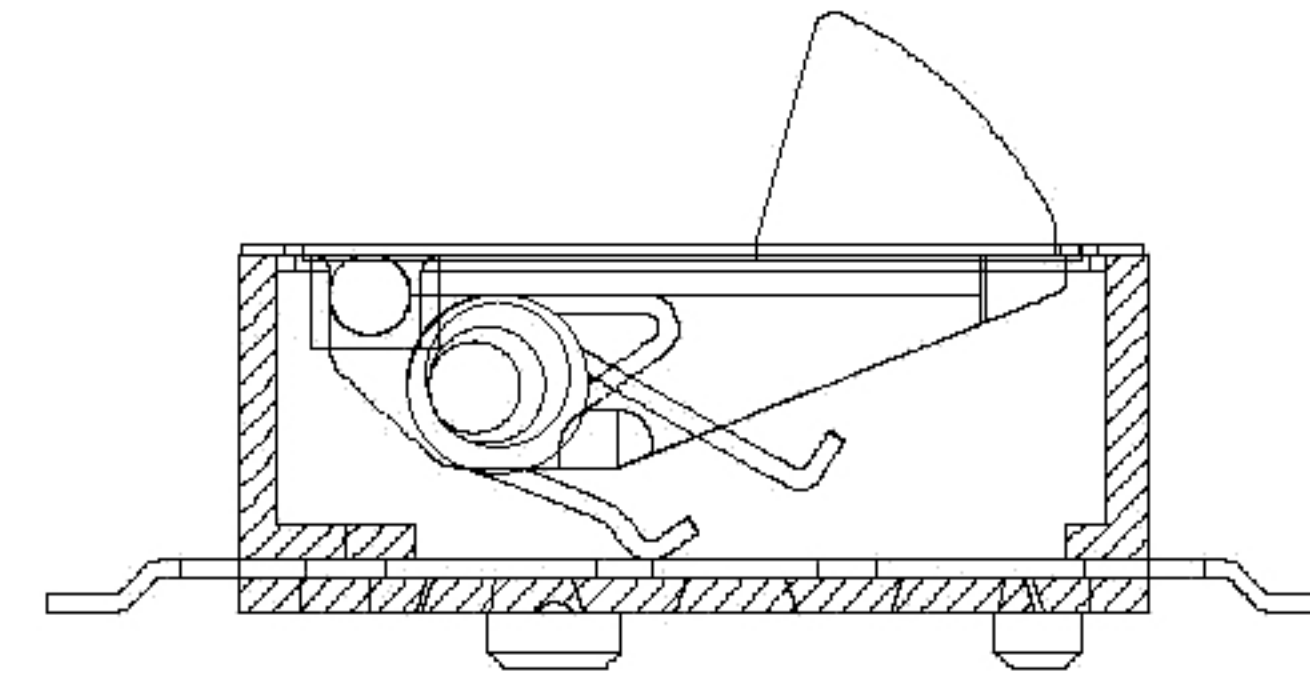


Circuit Diagram



PCB Layout(Pattern side)

ITEM	PART NAME	TER,NO	QTY	MATERIAL	FINISHING	REMARK
⑤	Contact Spring	—	1	Phosphor Bronze	Plating silver	—
④	Terminal	—	2	Phosphor Bronze	Plating silver	—
③	Base	—	1	Lcp		—
②	Cover	—	1	Sus	Natural	—
①	Keystake	—	1	Nylon		—

MARK	DESCRIPTION	DATE	REVISED	APPROVED	units: mm	DSND	DATE	SCALE: N/A	MODEL TYPE: DETECT SWITCH
ΔX					tolerance:	DWN	DATE	VIEW:	PART NO.:
ΔX					X.X ±0.2mm	CHKD	DATE	UNIT: mm/in	DWG NO.: TM-8763
ΔX					X.XX ±0.1mm	APPD	DATE	SIZE: A4	
					X.XXX ±0.05mm				
					UNSPECIFIED TOLERANCES				
						XKB INDUSTRIAL PRECISION CO., LIMITED			WEIGHT: 1.0g
									SHEET: 1/1
									REVISION: A0