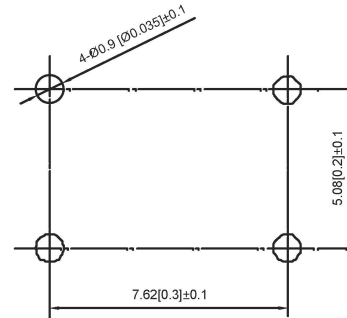


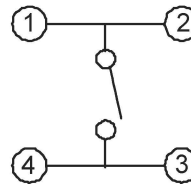
P.C.B Mounting hole dimensions



SPECIFICATION

Contact Rating: 50mA, 12V DC
 Contact Resistance: 100mΩ max
 Insulation Resistance: 100mΩ min. 500V DC
 Dielectric Strength: 250V AC/1minute
 Travel: 0.35mm
 Operating Temp: -40℃ ~ +90℃
 Storage Temp: -30℃ ~ +80℃

Circuit Diagram



PAPT NO	TC-1110-X
Operating Force	A:130gf B: 200gf C:300gf D:500gf
Height	H:6.65

ITEM	PAPT NAMF	TER,NO	QTY	MATERIAL	FINISHING	REMARK
⑤	Terminal	—	4	Brass (0.30t)	Plating silvering	—
④	Contact	—	1	F.ag/Sus	Natural	—
③	Base	—	1	PPA	—	—
②	Cover	—	1	Brass	Plating Nickel	—
①	Keystake	—	1	Steel ball	—	—

广东星坤科技股份有限公司

生效日期

DSND		DATE		SCALE: N/A	MODEL TYPE: TACT SWITCH
DWN		DATE		VIEW:	PART NO.: TC-1110-X
CHKD		DATE		UNIT: mm/in	DWG NO.: TC-1110-X
APPD		DATE		SIZE: A4	WEIGHT 1.0g
XKB INDUSTRIAL PRECISION CO., LIMITED				SHEET 1/1	REVISION A0

文件工程章

REVISIONS
 www.hellokb.com www.hellokb.cn