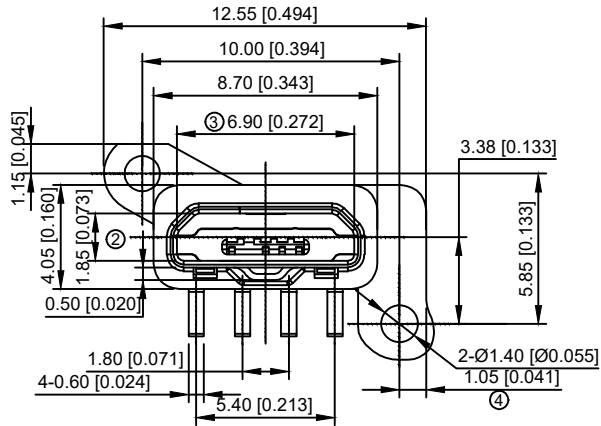
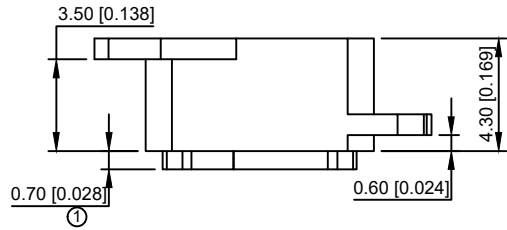
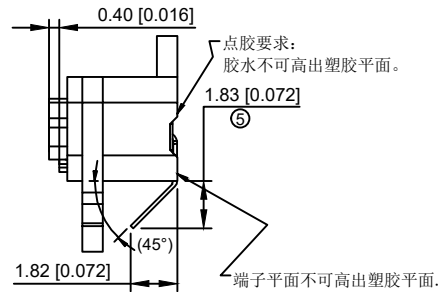
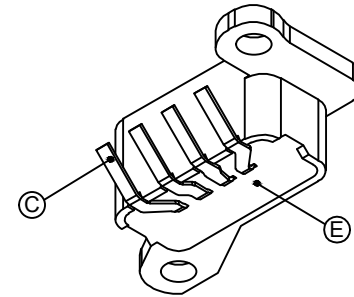
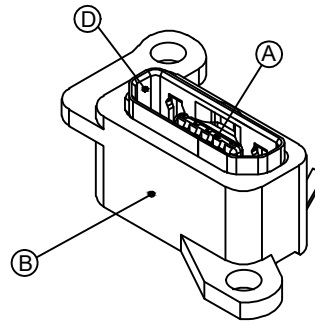
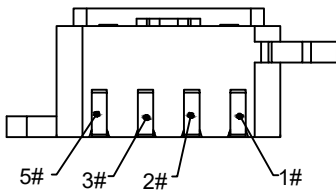


XKB CONNECTIVITY



XKB CONNECTIVITY



XKB CONNECTIVITY SPECIFICATION:

1. Electrical Characteristics
 - 1-1. Current Rating: Signal(Pins2,3):1A
Power(Pins15):1.8A
 - 1-2. Voltage Rating: AC 30V.
 - 1-3. Contact Resistance: 30mΩ Max. (Initial)
50mΩ Max. (After Durability)
 - 1-4. Insulation Resistance: 100MΩ Min. At 500V DC.
 - 1-5. withstanding voltage: 100V AC For 1 Minute.
2. Mechanical Characteristics
 - 2-1. Life test: 5000 Cycles Min.
 - 2-2. Mating Force: 35N Max,
Unmating Force: 8N Min. (initial)
6N Min (After Life Test)
 - 2-3. Nut Torque Strength: 0.8Kgf.cm Min.
3. Dustproof And Waterproof Grade: IP67
4. Sign" ⊗ "Is Importance Dimension.

XKB CONNECTIVITY

Contact Number	Signal Name	Remarks
1#	VBUS	Power
2#	D-	Date-
3#	D+	Date+
4#	--	Without
5#	GND	Gound

XKB CONNECTIVITY

NO.	DESCRIPTION	QTY	MATERIAL	REMARK
ⓔ	Glue	1	-----	Black
ⓓ	Inner Shell	1	Stainless Steel	
ⓐ	Terminal	4	Copper Alloy, t0.15	Gold Flash On Contact Area and Soldering Area
ⓑ	Outer Shell	1	PA66	Black
Ⓐ	Body	1	PA66	Black

					DSND	DATE	SCALE: N/A	MODEL TYPE:		
					DWN	DATE	VIEW:	MICRO USB		
					CHKD	DATE	UNIT: mm/in	PART NO.: U-E-M5SS-Y-3		
					APPD	DATE	SIZE: A4	DWG NO.: U-E-M5SS-Y-3		
					XKB INDUSTRIAL PRECISION CO., LIMITED			WEIGHT	SHEET	REVISION
								1.0g	1/1	A0

MARK	DESCRIPTION	DATE	REVISED	APPROVED
Δx				
Δx				
Δx				

ANGULAR	±5°
L ≤ 4	±0.2
4 < L ≤ 16	±0.3
16 < L ≤ 63	±0.4
L > 63	±0.5