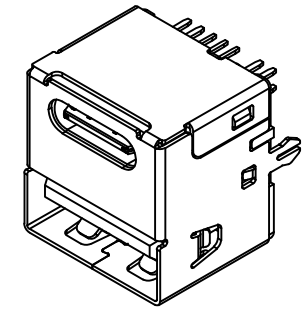
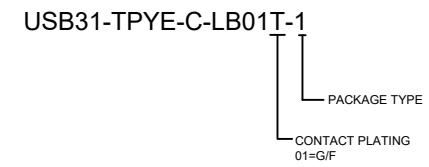


Recommended P.C.B Layout
Tolerance: ±0.05



1. CURRENT RATING:
a:TYPE-C: 8.0A MAX
b:USB2.0: 5.0A MAX
2. Withstanding Voltage: 100V AC
3. TEMPERATURE RANGE: -30 °C ~ 85 °C
4. CONTACT RESISTANCE: 40 MILLIONHM MAX
5. INSULATION RESISTANCE: 100 MEGOHMS
6. LNSERTION FORCE : 5N~20N
7. UNMATING FORCE: 8N~20N (1~1000
6N~20N (10000 次之后))
8. DURABILITY: 10,000 CYCLES



NO.	DESCRIPTION	MATERIAL	COLOR	REMARK
7	TYPE C MD	HIGH TEMP	BLACK	UL 94V-0
6	CENTER PIECE	STAINLESS STEEL	—	N O Plated
5	TYPE C TERMINAL	COPPER ALLOY	—	Gold Plated
4	CLIP	SEE NOTE	—	Ni Plated
3	USB TERMINAL	COPPER ALLOY	—	Gold Plated
2	SHELL	SEE NOTE	—	Ni Plated
1	HOUSING	HIGH TEMP	BLACK	UL 94V-0

MARK	DESCRIPTION	DATE	REVISED	APPROVED	UNSPECIFIED TOLERANCES	DSND	DATE	SCALE: N/A	MODEL TYPE: 3.1 TYPE C
ΔX					ANGLAR ±5°	DWN	DATE	VIEW:	PART NO.:
ΔX					L ≤ 4 ±0.2	CHKD	DATE	UNIT: mm/in	DWG NO.:
ΔX					4 < L ≤ 16 ±0.3	APPD	DATE	SIZE: A4	USB31-TPPE-C-LB01T-1
ΔX					16 < L ≤ 63 ±0.4				WEIGHT 1.0g
ΔX					L > 63 ±0.5				SHEET 1/1
MARK	REVISIONS					XKB INDUSTRIAL PRECISION CO.,LIMITED			REVISION A0