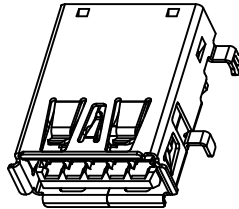


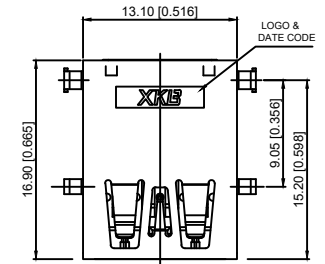
S:Scrolls

Pin No.	1	2	3	4	5	6	7	8	9
Signal Name	VBUS	D-	D+	GND	SSRX1-	SSRX1+	GND	SSRX2-	SSRX2+
Remark	USB2.0 Contact Pin				USB3.0 Contact Pin				

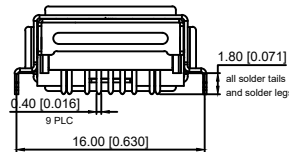
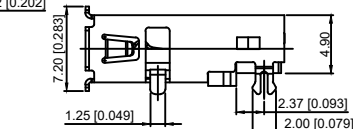
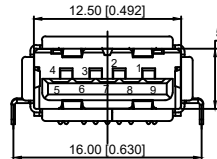


U231-09XN-3BLRT06-XS

- 1: Au 1U"
- 5: Au 15U"
- 6: Au 30U"
- T: TIN
- N: NICKEL
- S: SUS
- S: Scrolls F: Flat
- B: BLACK W: WHITE BL: BLUE
- 1: PBT
- 2: PA6T
- 3: PA9T
- 4: LCP



F: Flat



Material

Housing Material: PA9T, UL94V-0, blue

Contact Terminal: Copper Alloy

Metallic Shell: SUS

Plating

Underplating: Nickel

Contact Plating: 1μ" Gold

Solder Tail: 100μ" Min. Tin

Metallic Shell: Nickel

Electrical

Voltage Rating: 100 V AC

Current Rating: 0.25A (Signal pins 2,3,5,6,7,8,9) 1.8A (Power Pins 1,4)

Contact Resistance: 30mΩ Max.

Insulation resistance: 1000MΩ Min.

Dielectric withstanding voltage: 100V AC/Minute

Mechanical

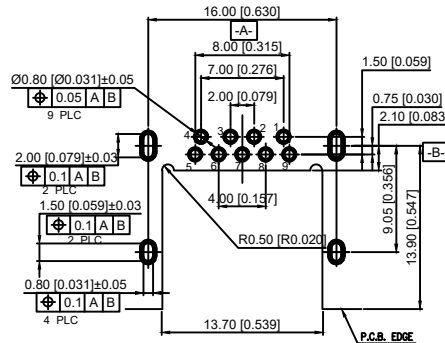
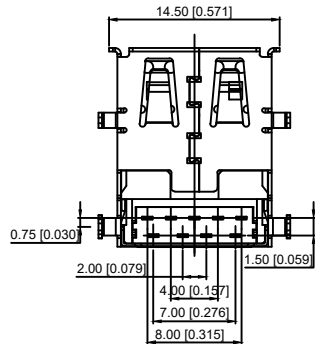
Durability: 1500 cycles

Mating Force: 35N (3.57Kgf) Max

Unmating Force: 10N (1.02Kgf) Min. initial, 8N min after test

Environmental and Processing

Operating Temperature: -40°C to +85°C



RECOMMEND P.C.B LAYOUT (THICKNESS=1.2mm)

						ANGLAR	±5°	DSND		DATE		SCALE: N/A	MODEL TYPE: USB 3.0		
ΔX						L ≤ 4	±0.2	DWN		DATE		VIEW:	PART NO.:		
Δx						4 < L ≤ 16	±0.3	CHKD		DATE		UNIT: mm/in	DWG NO.:		
Δx						16 < L ≤ 63	±0.4	APPD		DATE		SIZE: A4	U231-09XN-3BLRT06-XS		
MARK	DESCRIPTION	DATE	REVISED	APPROVED		L > 63	±0.5						WEIGHT	SHEET	REVISION
							UNSPECIFIED TOLERANCES	XKB INDUSTRIAL PRECISION CO., LIMITED					1.0g	1/1	A0