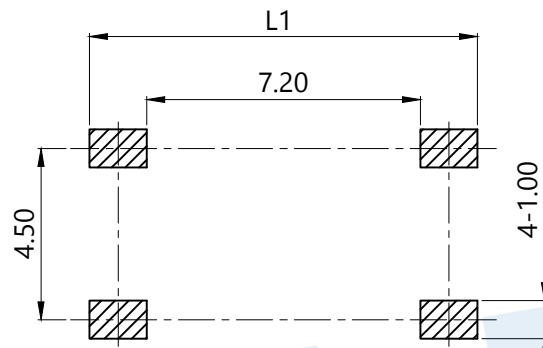
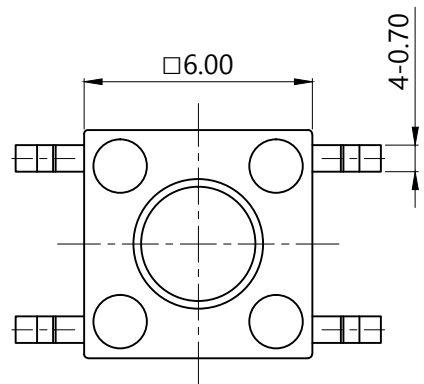
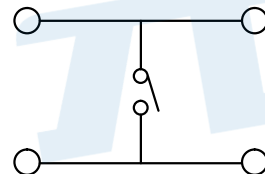
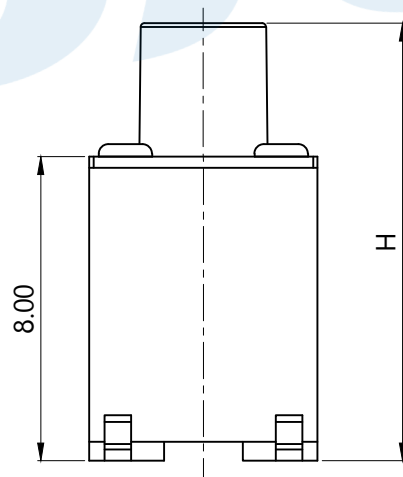
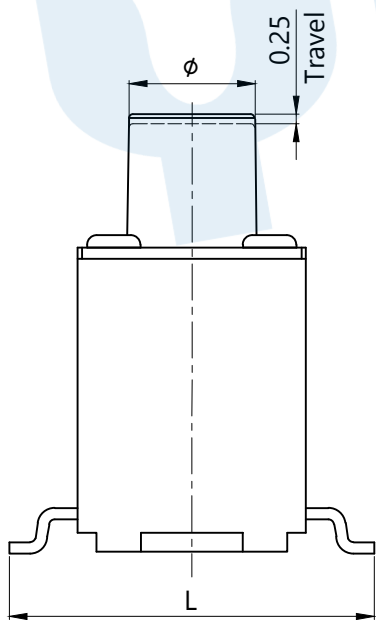
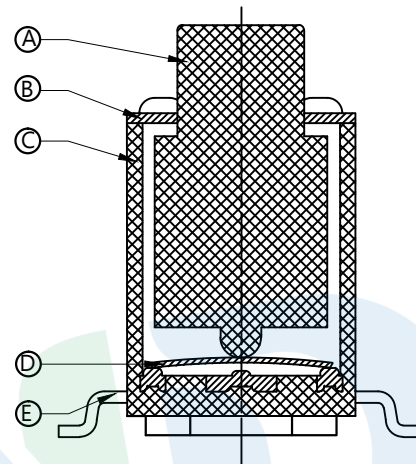


RoHS



PCB Layout(Pattern side)



Circuit Diagram

FOOT PITCH		
CODE	L	L1
C2	8.5	11

TOTAL HEIGHT		
CODE	H	φ
A15	12	3.5
A16	13	3.5
A17	14	3.5
A18	15	3.5
A19	16	3.5
A20	17	3.5
A205	17.5	3.5
A21	18	3.5

SHRAPNEL	
CODE	MATERIAL/QTY
D1	C5210/1PCS
D2	SUS/1PCS

OPERATING FORCE	
CODE	VIGOR
B1	120±30gf
B2	180±30gf
B3	250±30gf

NO.	Name	Number	Qty	Materil	Remarks
⑤	Terminal		4	Brass	Silvering
④	Reed		1	SUS	Silver covered
③	Base		1	PPA	Black
②	Cover		1	Brass	Nickel Plating
①	Keystoke		1	PPA	Black

**YUANDI®** Yuandi Electronics Co, Ltd

design	date	name	TACT SWITCHS
Review	date	model	TS-1095KS-A□B□-C□D□
Approved	date		

Drawing number:  modify  Review  Approved  Tolerance not specified  Proportion 1:1  unit mm  gage number  A4

angle	±2'
10~30	±0.30
5~10	±0.20
~ 5	±0.10