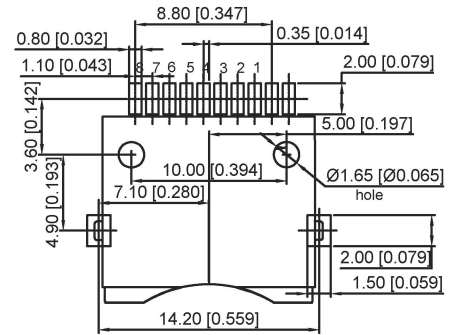
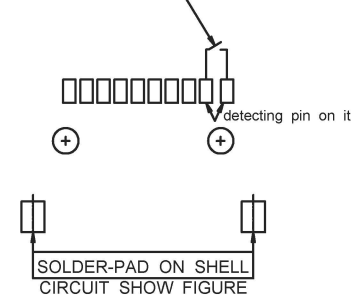


Pin No.	NAME	TYPE
1	DAT 2	I/O/PP
2	CD/DAT 3	I/O/PP
3	CMD	PP
4	VDD	S
5	CLK	I
6	VSS	S
7	DAT0	I/O/PP
8	DAT1	I/O/PP



RECOMMENED P.C.B LAYOUT(TOP VIEW)
GENERAL TOLERANCE ±0.05

WITHOUT CARD,SWITCH OPENED IN THE CONNECTOR;
WHEN CARD PUSHED-IN,SWITCH WAS CLOSED



- ELECTRICAL CHARACTERISTIC5
 - CONTACT RESISTANCE: 50 milliohms MAX.
 - INSULATION RESISTANCE: 1.000 Megohms MIN.
 - DIELECTRIC WITHSTANDING VOLTAGE:500V AC FOR 1 MINUTE.
- MECHANICAL CHARACTERISTICS
 - RETENTION FORCE:MIN.100gf/PIN
 - RoHS 2002/95/EC COMPLIANT.
- RESISTANCE TO REFLOW SOLDERING HEAT:260°C Max

ITEM	PAPT NAMF	QTY	MATERIAL	FINISHING
③	Shell	1	BRASS	
②	Terminal	10	BRASS	
①	Housing	1	LCP UL 94V-0	BLACK

广东星坤科技股份有限公司

生	日期
效	日期
Δx	
Δx	
Δx	
MARK	DESCRIPTION
文件	工程

DSND	DATE	SCALE: N/A	MODEL TYPE:
DWN	DATE	VIEW:	TF CARD CONN
CHKD	DATE	UNIT: mm/in	PART NO.:
APPD	DATE	SIZE: A4	DWG NO.:
			XKTF-005
UNSPECIFIED TOLERANCES			WEIGHT
XKB INDUSTRIAL PRECISION CO.,LIMITED			SHEET
			REVISION
			1.0g
			1/1
			A0