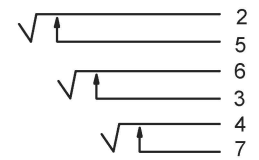
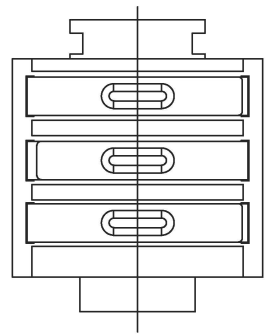
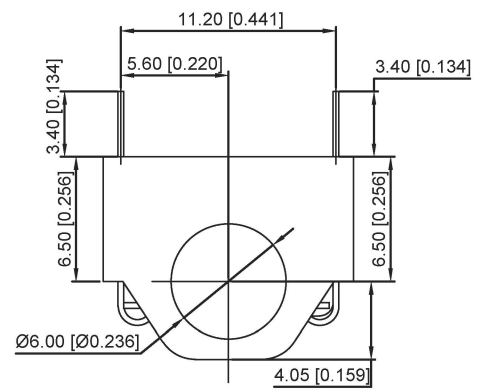
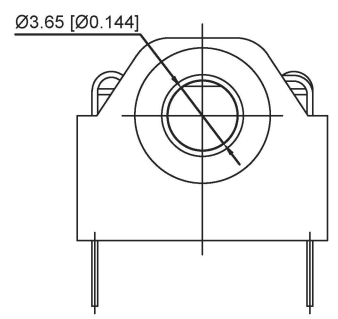


P.C.B LAYOUT  
TOP VIEW

Rated electrical load: DC30v/0.5A  
 Contact resistance: ≤ 0.03 Ω  
 Insulation resistance: ≥ 100m Ω  
 Withstand voltage: Ac500V (50 Hz) / min  
 Insertion and extraction force: 3-20N  
 Service temperature range: - 30-70 °C  
 Service life: 5000 times



Schematic



	MATERIAL	PLATING
terminal 7	Phosphorous copper	Gold
terminal 6	Phosphorous copper	Gold
terminal 5	Phosphorous copper	Gold
terminal 4	Phosphorous copper	Gold
terminal 3	Phosphorous copper	Gold
terminal 2	Phosphorous copper	Gold
plastic 1	PC	

广东星坤科技股份有限公司

生	日期
發	日期
ΔX	
MARK	
文件	工程章

REVISIONS	DATE	REVISED	APPROVED	UNSPECIFIED TOLERANCES
ANGLAR				±5°
L ≤ 4				±0.2
4 < L ≤ 16				±0.3
16 < L ≤ 63				±0.4
L > 63				±0.5

DSND	DATE	SCALE: N/A
DWN	DATE	VIEW:
CHKD	DATE	UNIT: mm/in
APPD	DATE	SIZE: A4
KKB INDUSTRIAL PRECISION CO., LIMITED		

MODEL TYPE:	3.5 PHONE JACK	
PART NO.:		
DWG NO.:	PJ-H395	
WEIGHT	SHEET	REVISION
1.0g	1/1	A0