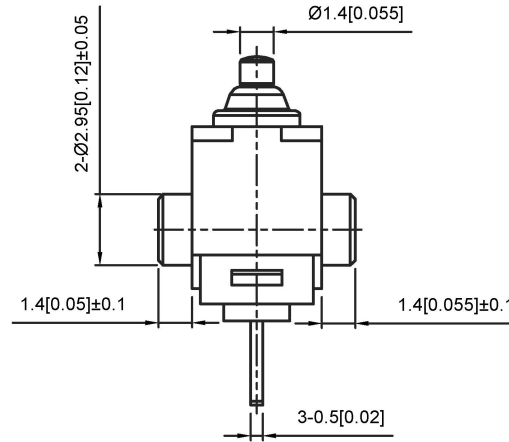
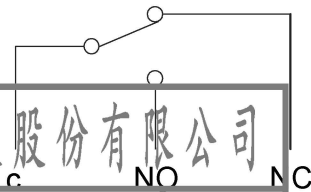


Circuit diagram



Waterproof grade: IP67

Technical Parameters

1. Electrical Rating: 0.1A 125/250VAC  
3A/12VDC; 0.1A/48VDC
2. Electrical lifetime: 100 000
3. Mechanical lifetime: 100 000
4. Contact Resistance: ≤100mΩ
5. Operating force: 1.3N MAX
6. Operation Position: 6.75±0.2mm
7. Pretravel: 0.8mm(MAX)
8. Withstand Voltage: Feet and Feet 500V/5S/5mA  
Feet and Shell 1500/5S/5mA
9. Insulation Resistance: ≥100MΩ (Test Voltage 500VDC)
10. Proof Tracking Index (PTI): 175V
11. Ambient temperature: 125°

1	Rubber shell	PA66
2	seal ring	Silica gel
3	base	Brass+PA66
4	According to sincerity	POM
5	Contact moving plate	C5191+AgNi10
6	Strut	SUS301-H

广东星坤科技股份有限公司

生	日期
ΔX	ΔX
ΔX	ΔX
MARK	文件工程章
DESCRIPTION	REVISIONS
DATE	REVISED
APPROVED	UNSPECIFIED TOLERANCES
units: mm	
tolerance:	
X.X	±0.2mm
X.XX	±0.1mm
X.XXX	±0.05mm

DSND	DATE	SCALE: N/A	MODEL TYPE: Microswitch
DWN	DATE	VIEW:	PART NO.:
CHKD	DATE	UNIT: mm/in	DWG NO.: DF1-000NS-1
APPD	DATE	SIZE: A4	WEIGHT: 1.0g
KKB INDUSTRIAL PRECISION CO., LIMITED			SHEET: 1/1
			REVISION: A0