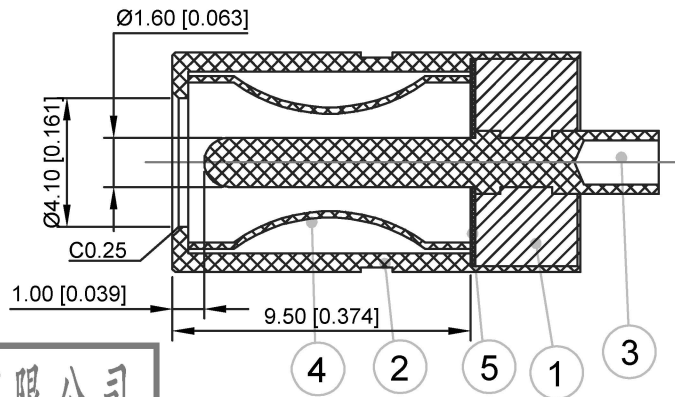


Technolo Request:

- 1.Outlook:
N0 burr,no hurt.
- 2.Electronic performance:
 - a:Insulation resistance:
Above DC500V/100MΩ;
 - b:Endure voltage:
AC500V at 1 minute;
 - c>Contact resistance:
Under 30MΩ;
- 3.Insertion fore & withdrawal force;0.3-3kgf.
- 4.Salt spray test :24H.



	MATERIAL	PLATING
plastic	Pbt	Black
Waterproof tube	C3604	NI
terminal	C3604	NI
Spring	phosphor bronze	NI
silicone pad		

广东星坤科技股份有限公司

生 日期
發 日期

文件工程章

REVISIONS

www.xk-ig.cn www.helloxkb.com www.helloxkb.cn

ANGLAR	±5°
L ≤ 4	±0.2
4 < L ≤ 16	±0.3
16 < L ≤ 63	±0.4
L > 63	±0.5

UNSPECIFIED TOLERANCES

DSND		DATE		SCALE: N/A	MODEL TYPE: DC-F1670
DWN		DATE		VIEW:	PART NO.:
CHKD		DATE		UNIT: mm/in	DWG NO.:
APPD		DATE		SIZE: A4	
KKB INDUSTRIAL PRECISION CO., LIMITED					WEIGHT 1.0g
					SHEET 1/1
					REVISION A0