

RECOMMENDED P.C.B. LAYOUT  
TOP VIEW (TOLERANCE: ±0.05)

**Material**

Housing Material: LCP, UL94V-0, black

Contact Terminal: Copper Alloy

Metallic Shell: Sus

**Electrical**

Voltage Rating: 30 V AC

Current Rating: Signal (Pins 2,3,4): 1.0A, Power (Pins 1,5): 1.8A

Contact Resistance: 30mΩ Max

Insulation resistance: 1000MΩ Min

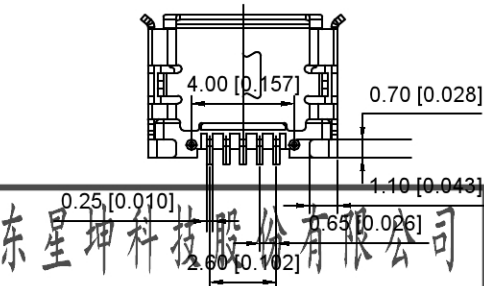
Dielectric withstanding voltage: 250V AC/Minute

**Mechanical**

Durability: 10,000 cycles

Mating Force: 35N (3.57Kgf) Max

Unmating Force: 8N (0.82Kgf) Min.



U254-05XX-4BH82-XXS

1:AU 1U"  
6:AU 30U"  
T:TIN  
N:NICKEL

1:With 2:Without  
S:Scrolls F:Flat

广东星坤科技股份有限公司

生 日期  
發 日期

文件工程章

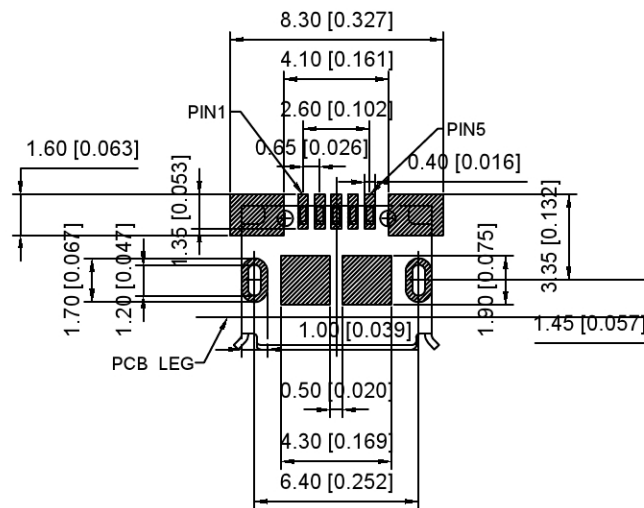
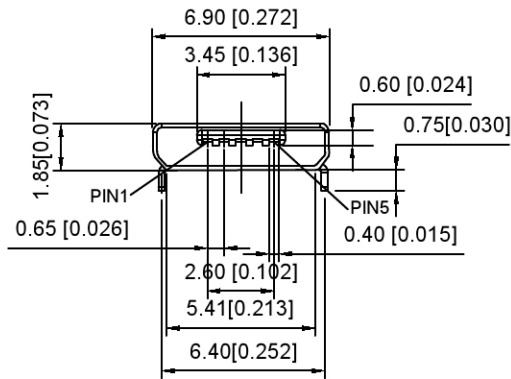
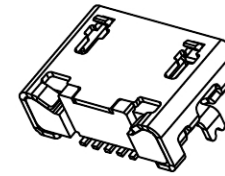
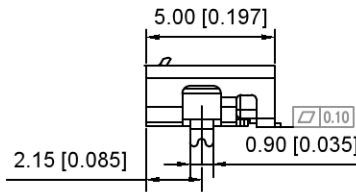
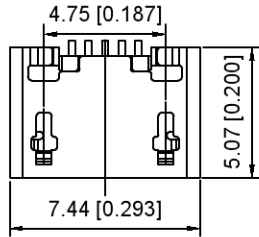
REVISIONS

www.xkcg.cn www.helloxkb.com www.helloxkb.cn

ANGULAR ±5°  
L ≤ 4 ±0.2  
4 < L ≤ 16 ±0.3  
16 < L ≤ 63 ±0.4  
L > 63 ±0.5

UNSPECIFIED TOLERANCES

DSND	DATE	SCALE: N/A	MODEL TYPE:
DWN	DATE	VIEW:	MICRO USB
CHKD	DATE	UNIT: mm/in	PART NO.:
APPD	DATE	SIZE: A4	DWG NO.:
KXB INDUSTRIAL PRECISION CO., LIMITED			U254-05XX-4BH82-SXS
WEIGHT	SHEET	REVISION	
1.0g	1/1	A0	



RECOMMENDED P.C.B. LAYOUT  
TOP VIEW (TOLERANCE: ±0.05)

**Material**

Housing Material: LCP, UL94V-0, black

Contact Terminal: Copper Alloy

Metallic Shell: Sus

**Electrical**

Voltage Rating: 30 V AC

Current Rating: Signal (Pins 2,3,4): 1.0A, Power (Pins 1,5): 1.8A

Contact Resistance: 30mΩ Max

Insulation resistance: 1000MΩ Min

Dielectric withstanding voltage: 250V AC/Minute

**Mechanical**

Durability: 10,000 cycles

Mating Force: 35N (3.57Kgf) Max

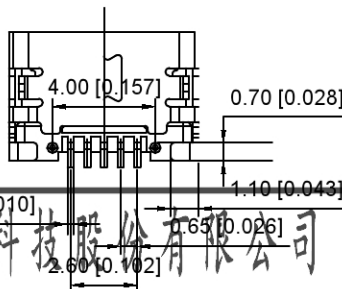
Unmating Force: 8N (0.82Kgf) Min.

U254-05XX-4BH82-XXS

1:AU 1U"  
6:AU 30U"

T:TIN  
N:NICKEL

1:With 2:Without  
S:Scrolls F:Flat



广东星坤科技股份有限公司

生 日期  
發 日期

文件工程章

REVISIONS

www.xkcg.cn www.helloxkb.com www.helloxkb.cn

ANGULAR ±5°  
L ≤ 4 ±0.2  
4 < L ≤ 16 ±0.3  
16 < L ≤ 63 ±0.4  
L > 63 ±0.5

UNSPECIFIED TOLERANCES

DSND	DATE	SCALE: N/A	MODEL TYPE:
DWN	DATE	VIEW:	MICRO USB
CHKD	DATE	UNIT: mm/in	PART NO.:
APPD	DATE	SIZE: A4	DWG NO.:
KXB INDUSTRIAL PRECISION CO., LIMITED			U254-05XX-4BH82-FXS
WEIGHT	SHEET	REVISION	
1.0g	1/1	A0	