

XKB CONNECTICITY

NOTES:

1.MATERIAL:

HOUSING: THERMOPLASTIC HIGH-TEMP UL94V-0 BLACK COLOR.
CONTACT: COPPER ALLOY.
SHELL: STAINLESS STEEL.

2.FINISH:

2.1. TERMINAL CONTACT:(SEE TAB)GOLD PLATING ALL OVER 50u"
Min NICKEL AND GOLD PLATING G/F ALL OVER 50u" Min NICKEL ON
SOLDER AREA

2.2. OUT SHELL:50u" Min. NICKEL ALL OVER

3.APPLIED TO IR SOLDERING PROCESS.

4. SPECIFICATION:

4.1.ELECTRICAL CHARACTERISTICS

CONTACT CURRENT RATING:Signal pin 1A,Power pin 1.8A

VOLTAGE RATING:30V AC rms.

CONTACT RESISTANCE:30mΩ MAX.

DIELECTRIC WITHSTANDING VOLTANGE:

UNMATEP CONTACT 100V AC rms. 60MHZ FOR 1 MINUTE.

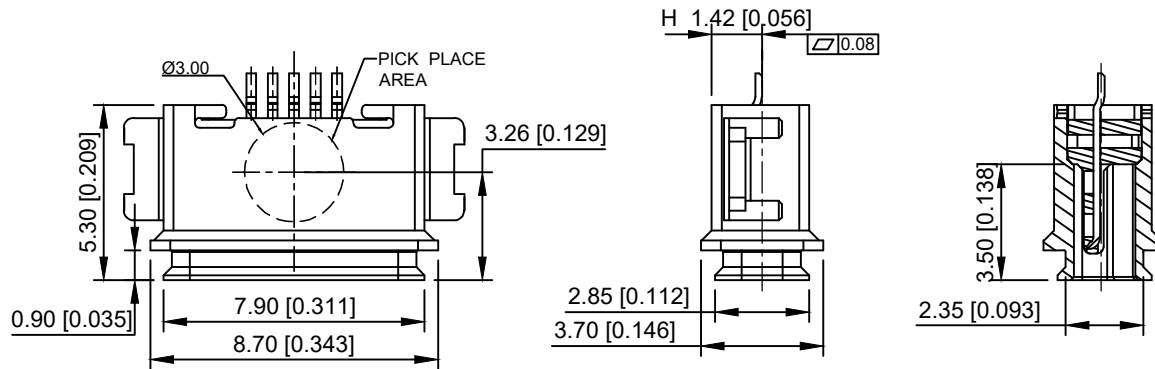
INSULATION RESISTANCE:1000MΩ MIN. 100V DC

TEMPERATURE RANGE:-30°C TO +85°C

4.2.MECHANICAL:

INSERTION FORCE:35N MAX.

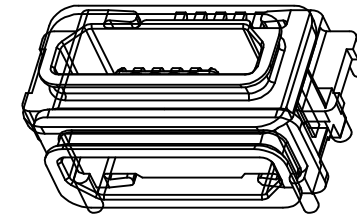
▲ WITHDRAWAL FORCE:5N MIN,25N MAX.



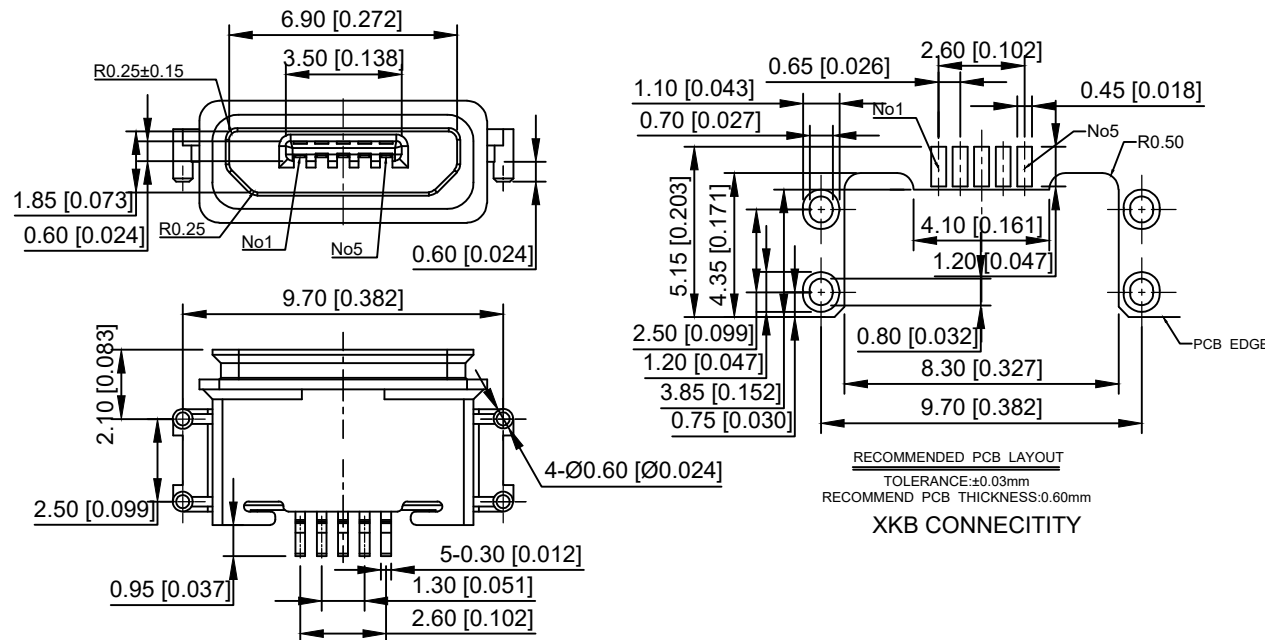
XKB CONNECTICITY

U-E-M8SS-C-1

1:G/F 2:5u" 3:10u"
4:15u" 5:30u"

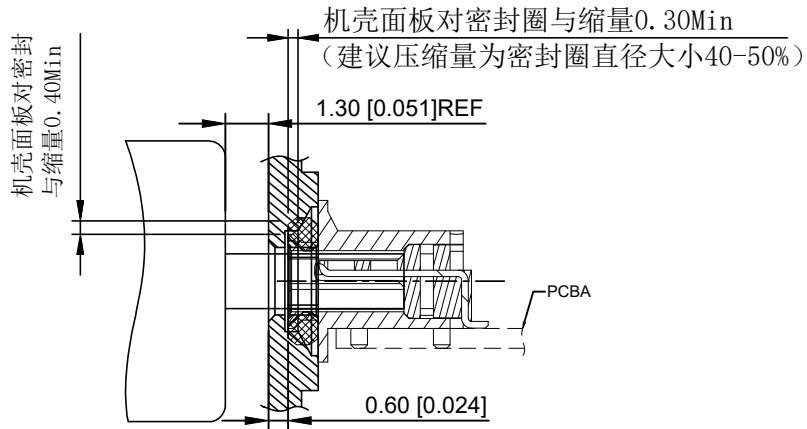


IP-X8

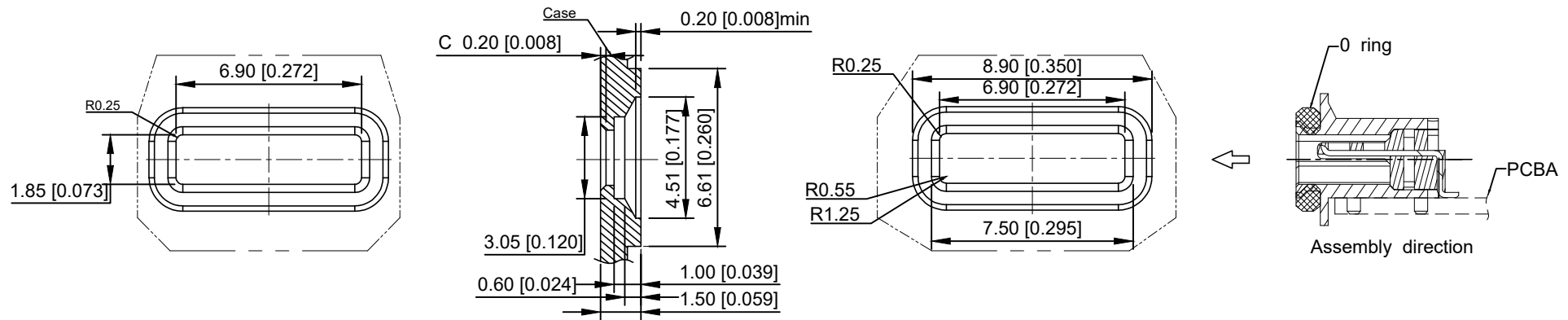
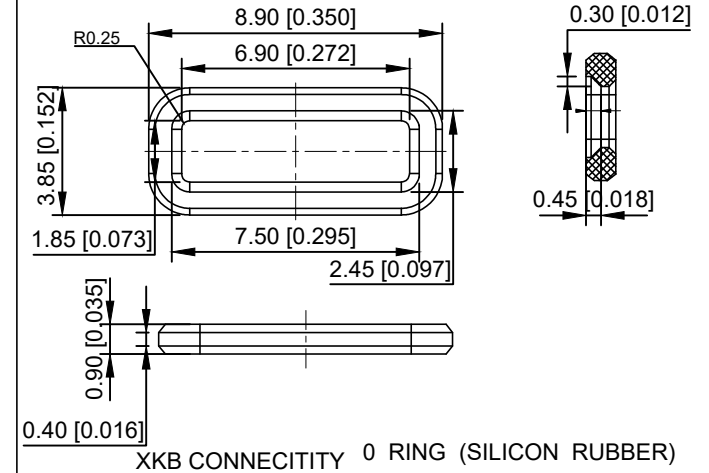


RECOMMENDED PCB LAYOUT
TOLERANCE:±0.03mm
RECOMMEND PCB THICKNESS:0.60mm
XKB CONNECTICITY

					DSND	DATE	SCALE: N/A	MODEL TYPE: MICRO USB
					DWN	DATE	VIEW:	PART NO.: U-E-M8SS-C-1
					CHKD	DATE	UNIT: mm/in	DWG NO.: U-E-M8SS-C-1
					APPD	DATE	SIZE: A4	
REVISIONS					XKB INDUSTRIAL PRECISION CO.,LIMITED			WEIGHT
UNSPECIFIED TOLERANCES								SHEET
www.xk-dg.cn www.helloxkb.com www.helloxkb.cn								REVISION
								1.0g
								1/1
								A0



COMPRESSION RATIO TO BE 40%-50%



RECOMMENDED OPEN DIMENSION OF CASE
TOLERANCE: ±0.03mm
MATTING AREA WITH SEALING RING
XKB CONNECTICITY

					ANGLAR	±5°	DSND		DATE		SCALE: N/A	MODEL TYPE: MICRO USB		
Δx					L ≤ 4	±0.2	DWN		DATE		VIEW:	PART NO.: U-E-M8SS-C-1		
Δx					4 < L ≤ 16	±0.3	CHKD		DATE		UNIT: mm/in	DWG NO.: U-E-M8SS-C-1		
Δx					16 < L ≤ 63	±0.4	APPD		DATE		SIZE: A4			
MARK	DESCRIPTION	DATE	REVISED	APPROVED	L > 63	±0.5						WEIGHT	SHEET	REVISION
REVISIONS					UNSPECIFIED TOLERANCES		XKB INDUSTRIAL PRECISION CO., LIMITED					1.0g	1/1	A0
www.xk-dg.cn www.helloxkb.com www.helloxkb.cn														