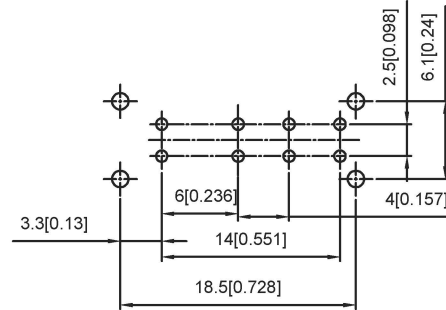
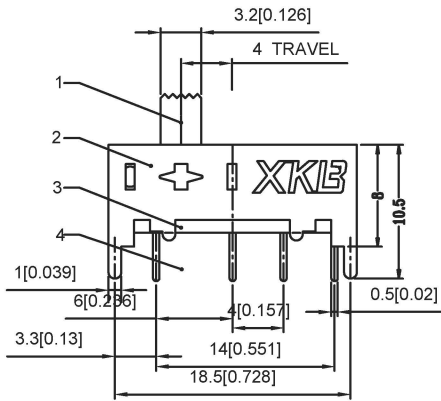


SCHEMATIC



PCB LAYOUT
BOTTOM VIEW

SS23H37- X

L(MM)
2~10

4	Terminal	8	Brass(0.30t)	ag Plated
3	Base	1	Phenolic Resin	
2	Cover	1	SUS	Natural
1	Keystake	1	Pa66	Black
ITEM	PART NAME	QTY	MATERIAL	FINISHING

RATING	0.3A 50V DC
CIRCUIT	2P4T
CONTACT RESISITANCE	100MΩ MAX
TRAVEL	4MM
OPERATING FORCE	250±100gf
OPERATING LIFE	10000

广东星坤科技股份有限公司

生效日期

文件工程章

DSND		DATE		SCALE: N/A	MODEL TYPE: SLIDE SWITCH
DWN		DATE		VIEW:	PART NO.: SS23H37
CHKD		DATE		UNIT: mm/in	DWG NO.: SS23H37X
APPD		DATE		SIZE: A4	
XKB INDUSTRIAL PRECISION CO., LIMITED					WEIGHT 1.0g
					SHEET 1/1
					REVISION A0

UNSPECIFIED TOLERANCES	
units: mm	
tolerance:	
X.X	±0.2mm
X.XX	±0.1mm
X.XXX	±0.05mm
REVISIONS	
DESCRIPTION	
DATE	
REVISED	
APPROVED	
www.helloxb.com	