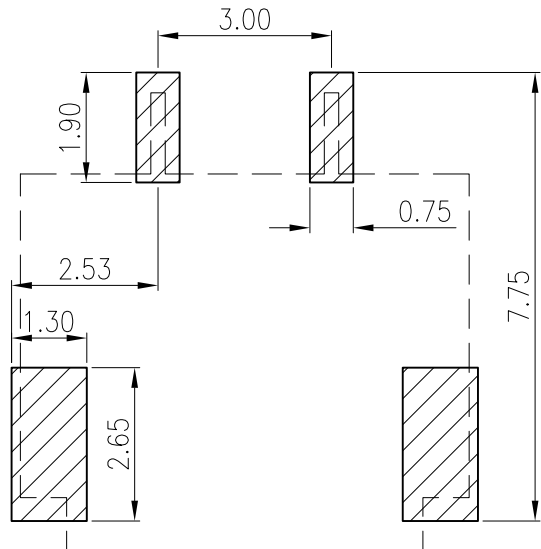
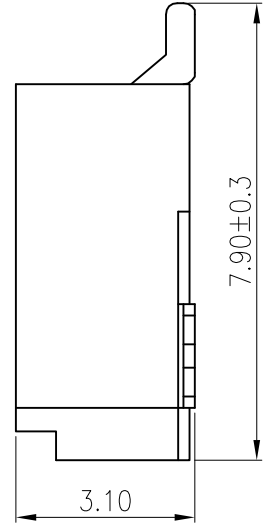
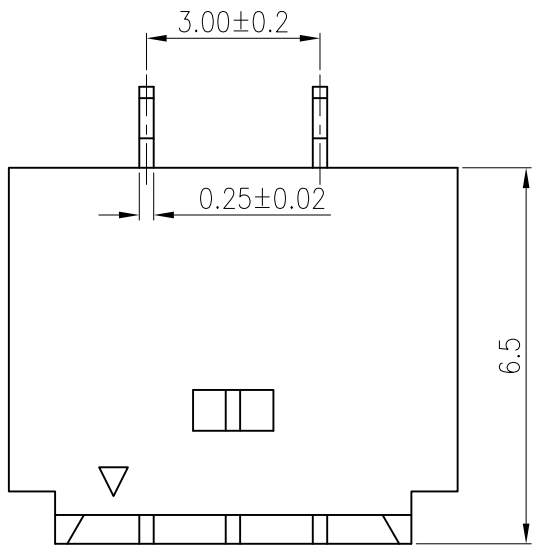


1 2 3 4 5 6 7 8

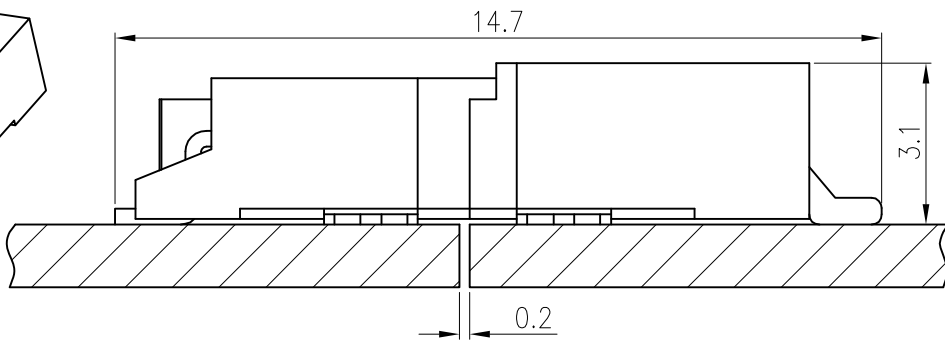
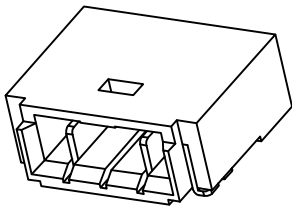
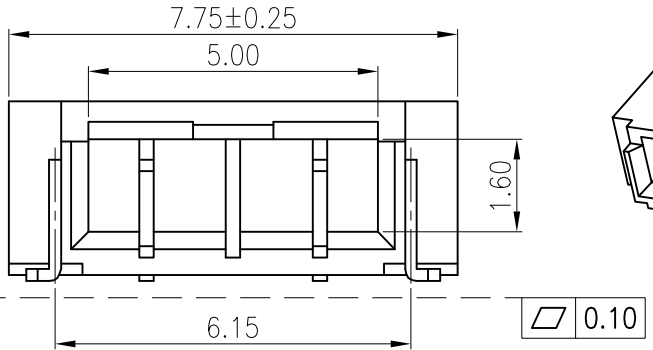


P.C.B Layout

- Specifications :
- Voltage rating: 150V AC / DC
 - Current rating: 1A AC / DC
 - Withstanding voltage: 1000V AC/minute
 - Temperature range: -25°C~+105°C
 - Insulation resistance: ≥1000MΩ
 - Contact resistance: ≤20mΩ

X3000W F -02-LPSW

- ① Series No
 ② Category: W-WAFER
 ③ Welding Board Angle: F-Female
 ④ Row No.-Pin No.: XX-Single Row
 ⑤ Material: LP -LCP 94V-0
 ⑥ Plating Category: SW-Fog Tin plating



X3000WF-02-LPSW	LCP UL 94V-0	Phosphor Bronze	Tin-Plated	Brass	Tin-Plated
PART NO	Material	Material(Pin)	Finish(Pin)	Material (Solder Tab)	Finish (Solder Tab)

For and on behalf of
XKB INDUSTRIAL PRECISION CO., LIMITED
 香港星坤工業精密有限公司

△ X					ANGULAR	±5°
△ X					L ≤ 4	±0.2
△ X					4 < L ≤ 16	±0.3
MARK	DESCRIPTION	DATE	REVISED	APPROVED	16 < L ≤ 63	±0.4
					L > 63	±0.5
					UNSPECIFIED TOLERANCES	

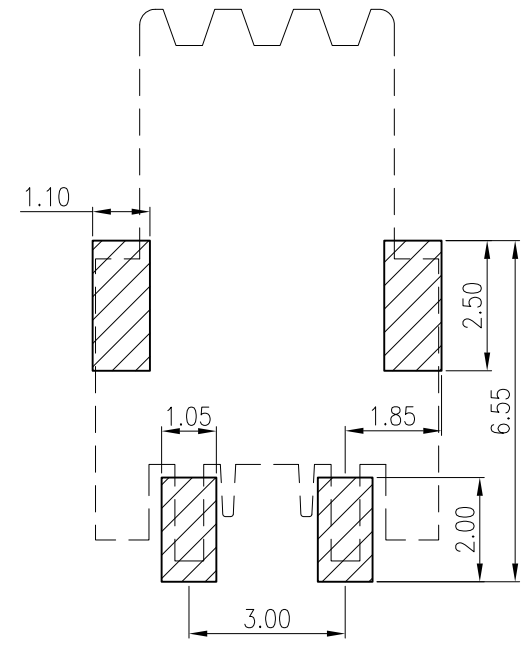
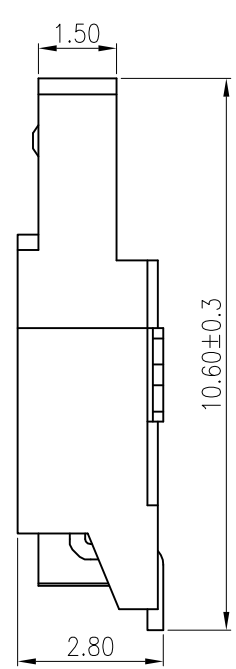
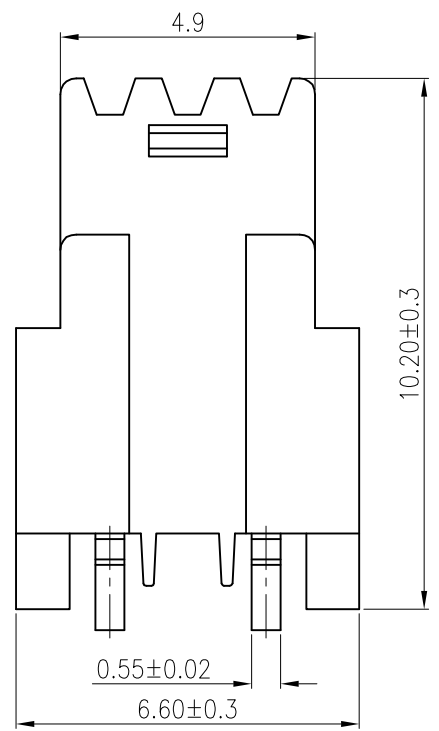
DSND		DATE		SCALE: N/A	MODEL TYPE: X3000WF-02-LPSW
DWN		DATE		VIEW:	PART NO.: 4.00mm BTB Style Connectors
CHKD		DATE		UNIT: mm	DWG NO.: X3000WF-02-LPSW
APPD		DATE		SIZE: A4	
					WEIGHT 1.0g
					SHEET 1/1
					REVISION A0

REVISIONS
 Authorized Signature(s)

XKB INDUSTRIAL PRECISION CO., LIMITED

1 2 3 4 5 6 7 8

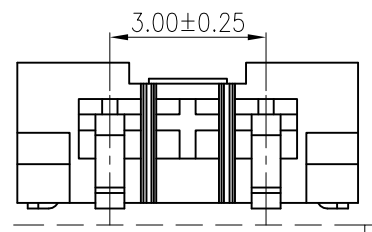
1 2 3 4 5 6 7 8



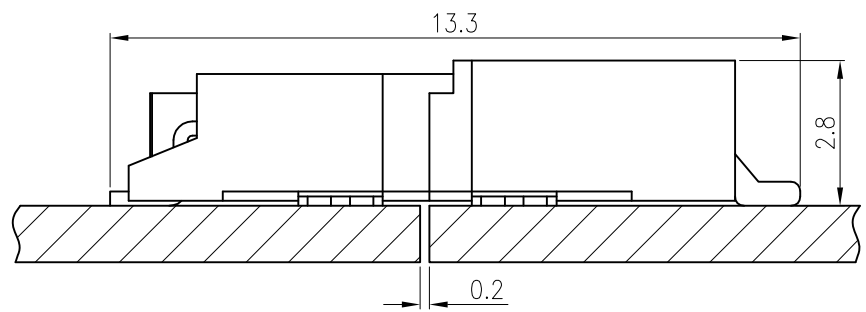
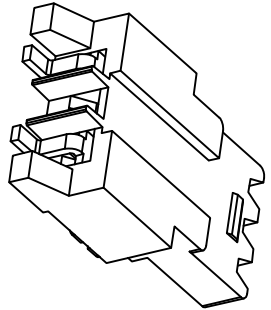
- Specifications :
- Voltage rating: 150V AC / DC
 - Current rating: 1A AC / DC
 - Withstanding voltage: 1000V AC/minute
 - Temperature range: - 25°C~+105°C
 - Insulation resistance: ≥1000MΩ
 - Contact resistance: ≤20mΩ

X3000W M -02 -LP SW
 ① ② ③ ④ ⑤ ⑥

- ① Series No
- ② Category: W-WAFER
- ③ Welding Board Angle: M-Male
- ④ Row No.-Pin No.: XX-Single Row
- ⑤ Material: LP -LCP 94V-0
- ⑥ Plating Category: SW-Fog Tin plating



0.10



Assembly Layout

X3000WM-02-LPSW	LCP UL 94V-0	Phosphor Bronze	Tin-Plated	Brass	Tin-Plated
PART NO	Material	Material(Pin)	Finish(Pin)	Material (Solder Tab)	Finish (Solder Tab)

For and on behalf of
XKB INDUSTRIAL PRECISION CO., LIMITED
香港星坤工業精密有限公司

△ X					ANGULAR	±5°
△ X					L ≤ 4	±0.2
△ X					4 < L ≤ 16	±0.3
△ X					16 < L ≤ 63	±0.4
MARK	DESCRIPTION	DATE	REVISED	APPROVED	L > 63	±0.5
					UNSPECIFIED TOLERANCES	

DSND	DATE	SCALE: N/A	MODEL TYPE: X3000WM-02-LPSW
DWN	DATE	VIEW:	PART NO.: 4.00mm BTB Style Connectors
CHKD	DATE	UNIT: mm	DWG NO.:
APPD	DATE	SIZE: A4	X3000WM-02-LPSW
		WEIGHT	SHEET
		1.0g	1/1
		REVISION	A0

XKB INDUSTRIAL PRECISION CO., LIMITED

1 2 3 4 5 6 7 8