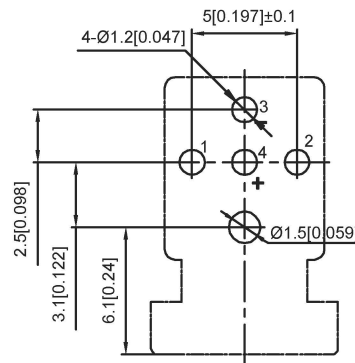
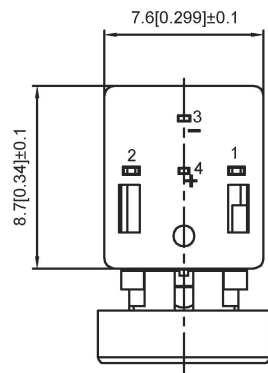
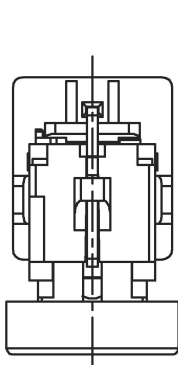


Led Color	Part No
White	TM-007-D1-X-01
Red	TM-007-D1-X-02
Blue	TM-007-D1-X-03
Green	TM-007-D1-X-04
Yellow	TM-007-D1-X-05



ITEM	PAPT	NAMF	TER,NO	QTY	MATERIAL	FINISHING	REMARK
⑦		LED		1			
⑥		Hat		1	ABS		
⑤		Terminal	---	4	Brass (0.30t)	ag Plated	---
④		Contact	---	1	F.ag/SUS		---
③		Base	---	1	PA66		---
②		Cover	---	1	PA66		---
①		Keystake	---	1	PA66		---

广东星坤科技股份有限公司

生效日期

文件工程章

REVISIONS

www.helloxb.com www.helloxb.com

units: mm
tolerance:
X.X ±0.2mm
X.XX ±0.1mm
X.XXX ±0.05mm

UNSPECIFIED TOLERANCES

DSND		DATE		SCALE: N/A	MODEL TYPE: LED SWITCH
DWN		DATE		VIEW:	PART NO.:
CHKD		DATE		UNIT: mm/in	DWG NO.: TM-007-D1-X
APPD		DATE		SIZE: A4	
XKB INDUSTRIAL PRECISION CO., LIMITED				WEIGHT	SHEET
				1.0g	1/1
				REVISION	A0