

Specifications:

规格:

Voltage rating:250V AC/DC

额定电压: 250V AC/DC

Current rating:3A AC/DC

额定电流: 3A AC/DC

Withstanding voltage:800V AC/minute

耐受电压: 800V AC/分钟

Temperature range:-25°C-+85°C

温度范围: -25°C-+85°C

Insulation resistance:≥1000MΩ

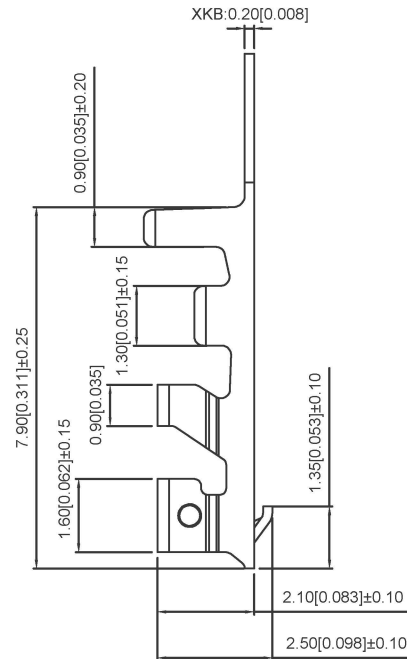
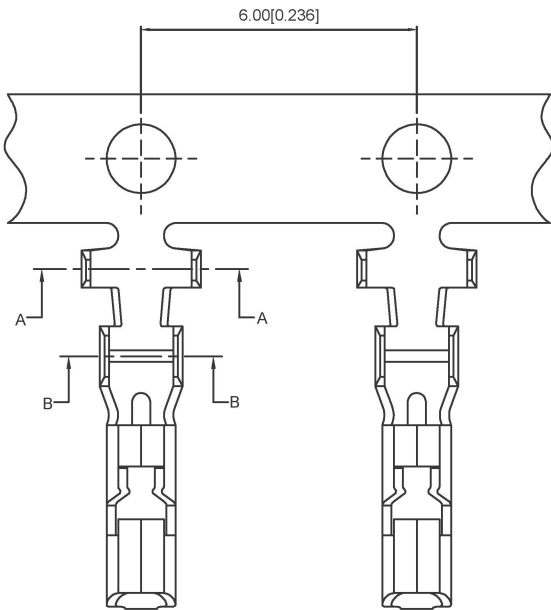
绝缘电阻: ≥1000MΩ

Contact resistance:≤10mΩ

接触电阻: ≤10mΩ

After environmental testing:≤20mΩ

环境测试后: ≤20兆欧



X2015 T- P SN

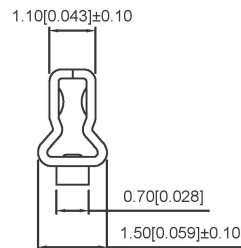
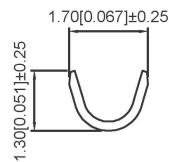
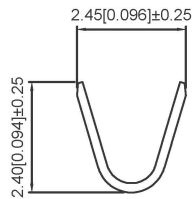
① ② ③ ④

1.Series Number

2.Category:T-terminal

3.Material: P-Phosphor bronze

4.Plating style:SN-Bright tin plating



X2015T-PSN	Phosphor Bronze	AWG#22-28	1.5mm(MAX)	Stamping Before Plating;30u MIN Ni ;70u MIN Sn	X2015H
PART NO	Material	Wire Range	Insulation OD	Finish	Suitable XKB

广东星坤科技股份有限公司

生	日期
ΔX	日期
ΔX	日期
ΔX	日期
MARK	文件工程章

units:	mm
tolerance:	
X.X	±0.2mm
X.XX	±0.1mm
X.XXX	±0.05mm
UNSPECIFIED TOLERANCES	

DSND	DATE	SCALE: N/A
DWN	DATE	VIEW:
CHKD	DATE	UNIT: mm/in
APPD	DATE	SIZE: A4
KKB INDUSTRIAL PRECISION CO., LIMITED		

MODEL TYPE:	Wire to board connector	
PART NO.:	2.00mm Crimp Style Connectors	
DWG NO.:	X2015T-PSN	
WEIGHT	SHEET	REVISION
1.0g	1/1	A0