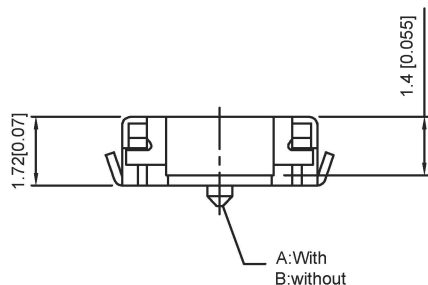
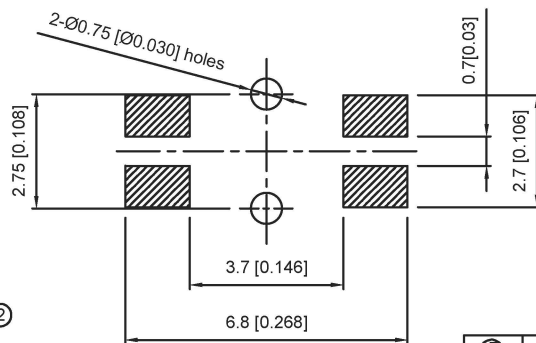


SPECIFICATION

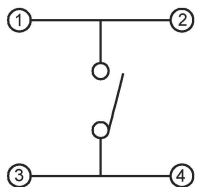
Contact Rating: 50mA, 12V DC
 Contact Resistance: 100mΩ max
 Insulation Resistance: 100mΩ min. 500V DC
 Dielectric Strength: 250V AC/1minute
 Tracer: 0.20mm
 Operating Temp: -30°C ~ +85°C
 Storage Temp: -30°C ~ +80°C



PCB MOUNTING PATTERN DIMENSION



PAPT NO	TS-1186U-X-X
Operating Force	B:160gf C:260gf
Height	H:4.5
Fixed column	A:With B:Without



CIRCUIT DIAGRAM

ITEM	PAPT NAMF	TER,NO	QTY	MATERIAL	FINISHING	REMARK
⑤	Terminal	—	4	Brass (0.30t)	Plating silvering	—
④	Contact	—	1	F.ag/Sus	Natural	—
③	Base	—	1	Pa46	—	—
②	Cover	—	1	Brass	Plating Nickel	—
①	Keystake	—	1	Pa46	—	—

广东星坤科技股份有限公司

生效日期

文件工程章

REVISIONS	DESCRIPTION	DATE	REVISED	APPROVED	UNSPECIFIED TOLERANCES

DSND		DATE		SCALE: N/A	MODEL TYPE: TACT SWITCH
DWN		DATE		VIEW:	PART NO.:
CHKD		DATE		UNIT: mm/in	DWG NO.: TS-1186U-X-X
APPD		DATE		SIZE: A4	WEIGHT: 1.0g
KXB INDUSTRIAL PRECISION CO., LIMITED				SHEET: 1/1	REVISION: A0