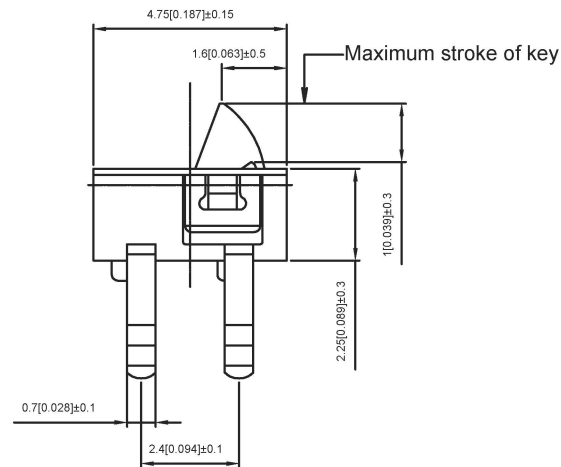
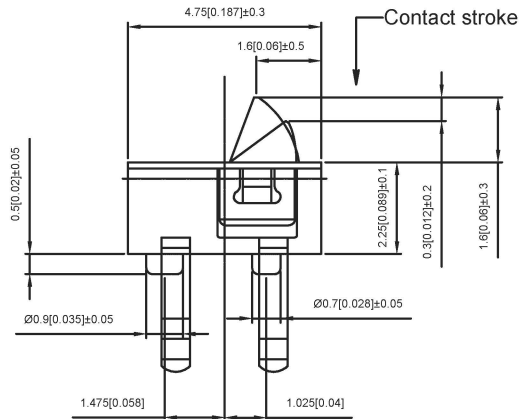


PART NO.	
TM-8764A-1	TM-8764A-2



NOTE:
 Rating: DC 30V 0.1A
 Operating Force: 30±10gf
 Lifetime: 100,000 Cycles

⑤	Contact Spring	—	1	Phosphor Bronze	Plating silver	—
④	Terminal	—	4	Phosphor Bronze	Plating silver	—
③	Base	—	1	Lcp		—
②	Cover	—	1	Sus	Natural	—
①	Keystake	—	1	Nylon		—
ITEM	PART NAMF	TER.NO	QTY	MATERIAL	FINISHING	REMARK

广东星坤科技股份有限公司

生效日期

文件工程章

REVISIONS
 www.helloxb.com www.helloxb.cn

UNSPECIFIED TOLERANCES

DSND		DATE		SCALE: N/A	MODEL TYPE: DETECT SWITCH
DWN		DATE		VIEW:	PART NO.:
CHKD		DATE		UNIT: mm/in	DWG NO.: TM-8764A-X
APPD		DATE		SIZE: A4	
XKB INDUSTRIAL PRECISION CO., LIMITED				WEIGHT	SHEET
				1.0g	1/1
				REVISION	A0