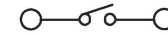
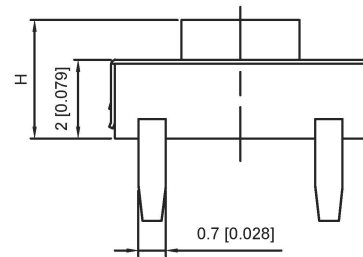
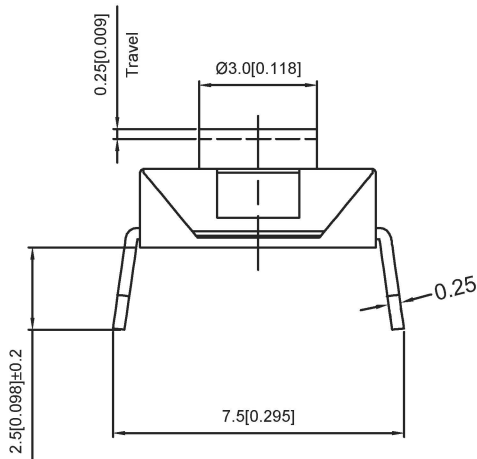


PCB Layout(Pattern side)



Circuit Diagram

Code-X	H
A	2.5
B	3.1
C	3.4
D	3.7
E	4.3
F	5.0



SPECIFICATION

Contact Rating: 50mA, 12V DC
 Contact Resistance: 100mΩ max
 Insulation Resistance: 100mΩ min, 500V DC
 Dielectric Strength: 250V AC/1minute
 Travel: 0.25mm
 Operating Temp: -30°C ~ +85°C
 Storage Temp: -30°C ~ +80°C

PAPT NO	TC-1157-X-X
Operating Force	A:100gf B:160gf C:260gf
Height	Code-X

ITEM	PAPT NAMF	TER,NO	QTY	MATERIAL	FINISHING	REMARK
⑤	Terminal	---	4	Brass (0.30t)	Plating silvering	---
④	Contact	---	1	F.ag/Sus	Natural	---
③	Base	---	1	Pa46	---	---
②	Cover	---	1	Spcc	Plating Nickel	---
①	Keystake	---	1	Pa46	---	---

广东星坤科技股份有限公司

生效日期

文件工程章

REVISIONS	DESCRIPTION	DATE	REVISED	APPROVED	UNSPECIFIED TOLERANCES

DSND		DATE		SCALE: N/A	MODEL TYPE: TACT SWITCH
DWN		DATE		VIEW:	PART NO.:
CHKD		DATE		UNIT: mm/in	DWG NO.: TC-1157-X-X
APPD		DATE		SIZE: A4	WEIGHT: 1.0g
KXB INDUSTRIAL PRECISION CO., LIMITED				SHEET: 1/1	REVISION: A0