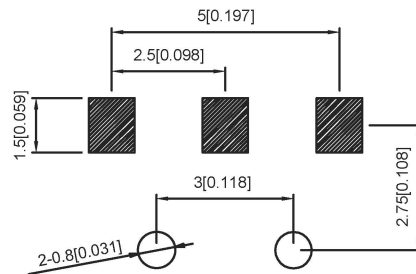
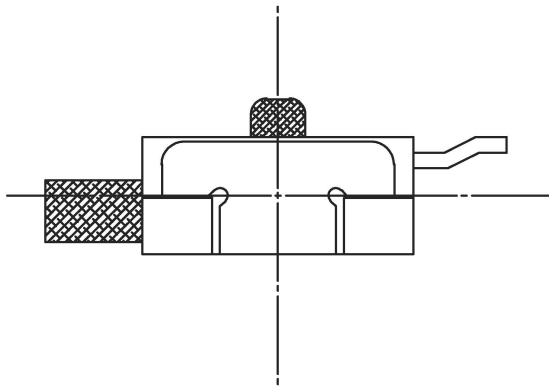


NOTE:
 Rating: DC 12V 50mA
 Operating Force: 200±100gf
 Lifetime: 10,000 Cycles



PAPT NO	L
SK-3390A-L0	1.0
SK-3390A-L1	1.5
SK-3390A-L2	2.0

ITEM	PAPT NAME	TER,NO	QTY	MATERIAL	FINISHING	REMARK
5	Terminal	3	3	Brass (0.30t)	ag Plated	
4	Contact spring	1	1	Phosphor branze	ag Plated	
3	Base	1	1	Lcp	Black	
2	Cover	1	1	Sus	Natural	
1	Keystake	1	1	Pa46	Black	

广东星坤科技股份有限公司

生	日期
效	
效	
效	
MARK	

文件工程章

DESCRIPTION	DATE	REVISED	APPROVED	units: mm	tolerance:
				X.X ±0.2mm	
				X.XX ±0.1mm	
				X.XXX ±0.05mm	
				UNSPECIFIED TOLERANCES	

DSND	DATE	SCALE: N/A
DWN <td>DATE <td>VIEW: </td> </td>	DATE <td>VIEW: </td>	VIEW:
CHKD <td>DATE <td>UNIT: mm/in</td> </td>	DATE <td>UNIT: mm/in</td>	UNIT: mm/in
APPD <td>DATE <td>SIZE: A4</td> </td>	DATE <td>SIZE: A4</td>	SIZE: A4

MODEL TYPE:	WEIGHT	SHEET	REVISION
SLIDE SWITCH	1.0g	1/1	A0
PART NO.:			
DWG NO.:	SK-3390A-X		

KKB INDUSTRIAL PRECISION CO., LIMITED