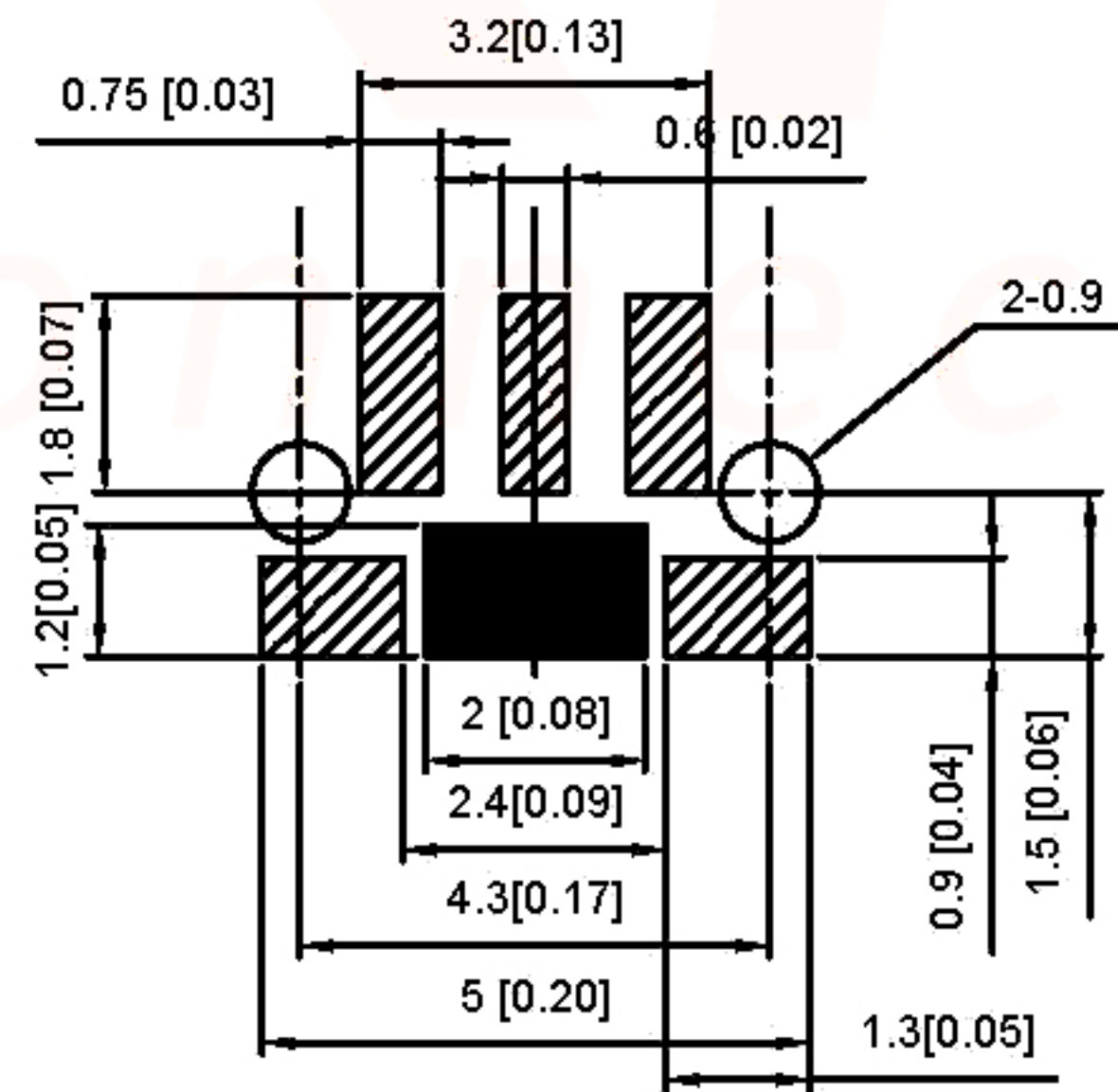


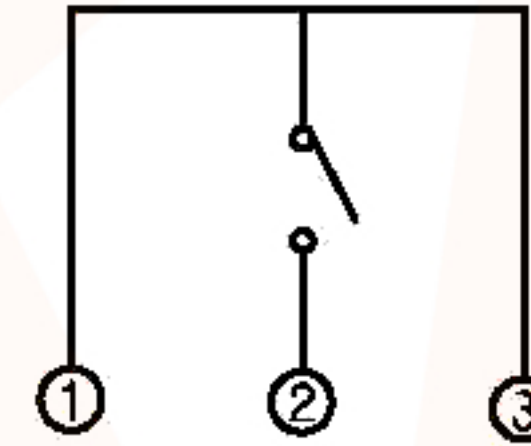
SMD REFLOW PATTERN



SPECIFICATION

Contact Rating: 50mA, 12V DC  
 Contact Resistance: 100mΩ max  
 Insulation Resistance: 100mΩ min. 500V DC  
 Dielectric Strength: 250V AC/1minute  
 Travel: 0.25mm  
 Operating Temp: -30°C~+85°C  
 Storage Temp: -30°C~+80°C

CIRCUIT DIAGRAM



PAPT NO	TS-1133-X-A
Operating Force	A:100gf B:160gf C:260gf
Keystake	A:PA46 B:Silica gel

⑤	Terminal	—	3	Brass (0.30t)	Plating silvering	—
④	Contact	—	1	F.ag/Sus	Natural	—
③	Base	—	1	Pa46		—
②	Cover	—	1	Spcc	Plating Nickel	—
①	Keystake	—	1	Pa46		—
ITEM	PAPT NAMF	TER,NO	QTY	MATERIAL	FINISHING	REMARK

DSND		DATE		SCALE: N/A	MODEL TYPE: TACT SWITCH	
DWN		DATE		VIEW:	PART NO.:	
CHKD		DATE		UNIT: mm/in	DWG NO.:	
APPD		DATE		SIZE: A4	TS-1133-X-A	
				WEIGHT	SHEET	REVISION
XKB INDUSTRIAL PRECISION CO., LIMITED				1.0g	1/1	A0

					units: mm
					tolerance:
ΔX					X.X ±0.2mm
ΔX					X.XX ±0.1mm
ΔX					X.XXX ±0.05mm
MARK	DESCRIPTION	DATE	REVISED	APPROVED	UNSPECIFIED TOLERANCES
	REVISIONS				
www.xk-dg.cn www.helloxkb.com www.helloxkb.cn					