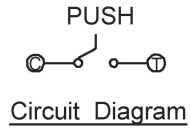


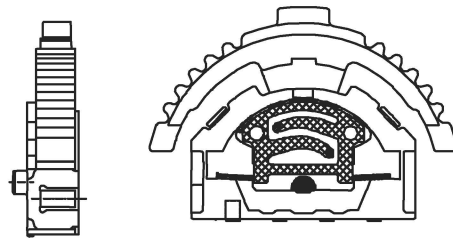
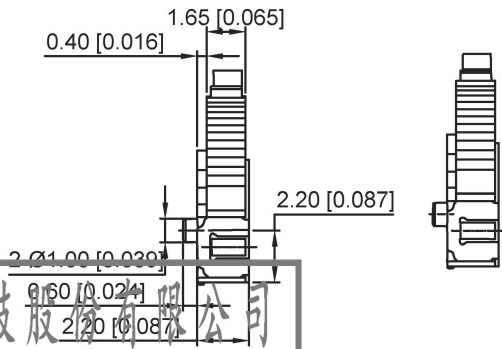
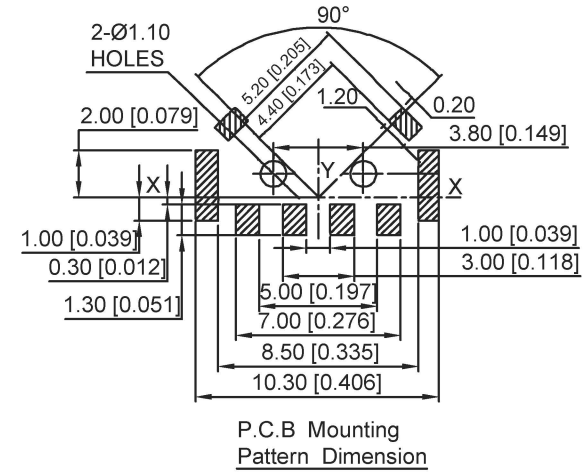
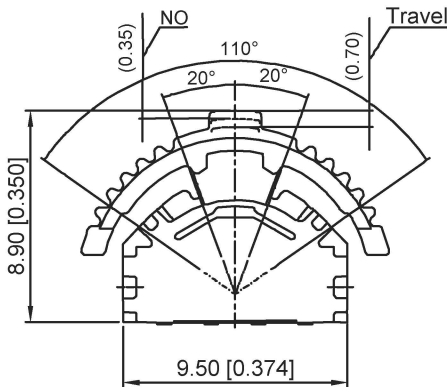
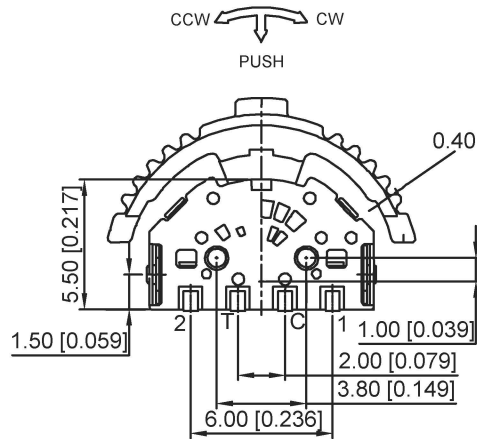
	ANG	(20°)	(15°)	(15°)	(20°)
TER					
①					
②					
③					

CCW ——— CW

CODE TABLE



NOTE:
Operating Force:
lever portion 100 ± 30 gf
Push portion 205 ± 50 gf



ITEM	PAPT NAMF	TER,NO	QTY	MATERIAL	FINISHING	REMARK
⑥	Terminal	—	4	Brass(0.15t)	Plating silver	
⑤	Contact	—	1	F.ag/Brass	Plating silver	
④	Base	—	1	Nylon		
③	Spring	—	1	Sus	Natural	
②	Cover	—	1	Sus	Natural	
①	Keystake	—	1	Nylon		

广东星坤科技股份有限公司

生效日期

MARK	DESCRIPTION	DATE	REVISED	APPROVED	UNSPECIFIED TOLERANCES

文件工程章

DSND	DATE	SCALE: N/A	MODEL TYPE:
DWN	DATE	VIEW:	MULTI-FUNCTIONAL SWITCH
CHKD	DATE	UNIT: mm/in	PART NO.:
APPD	DATE	SIZE: A4	DWG NO.:
			TM-2024A
XKB INDUSTRIAL PRECISION CO., LIMITED			WEIGHT
			1.0g
			SHEET
			1/1
			REVISION
			A0