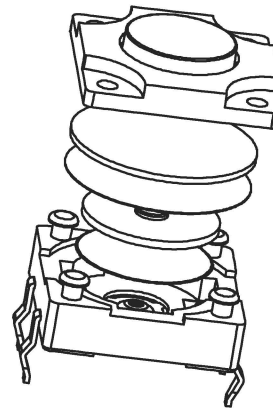
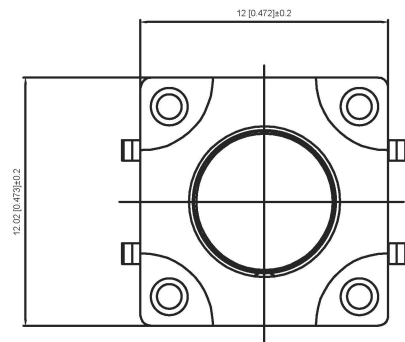
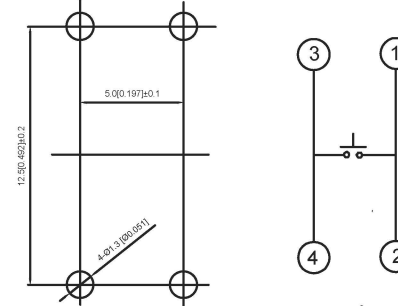


Code-x	H	Code-x	H
E	6.0	Q	12
F	6.5	R	12.5
G	7.0	S	13.0
H	7.5	T	13.5
I	8.0	U	14.0
J	8.5	V	15.0
K	9.0	W	15.5
L	9.5	X	16
M	10.0	Y	16.5
N	10.5	Z	17
O	11.0	18	18
P	11.5	19	19



### P.C.B



### SPECIFICATION

Contact Rating: 50mA, 12V DC  
 Contact Resistance: 100mΩ max  
 Insulation Resistance: 100mΩ min. 500V DC  
 Dielectric Strength: 250V AC/1minute  
 Travel: 0.25mm  
 Operating Temp: -25°C ~ +80°C  
 Storage Temp: -30°C ~ +80°C

PAPT NO	TC-FS1212D-X-X
Operating Force	A:100gf B:160gf C:260gf
Height	Code-x

⑤ Terminal	—	4	Brass (0.30t)	Plating silvering	——	
④ Contact	—	1	F.ag/Sus	Natural	——	
③ Base	—	1	Pa46		——	
② Cover	—	1	Pa46		——	
① Keystake	—	1	Pa46		——	
ITEM	PAPT NAMF	TER,NO	QTY	MATERIAL	FINISHING	REMARK

广东星坤科技股份有限公司

生效日期

文件工程章

#### REVISIONS

www.helloxkb.com www.helloxkb.cn

#### UNSPECIFIED TOLERANCES

DSND		DATE		SCALE: N/A	MODEL TYPE: TACT SWITCH	
DWN		DATE		VIEW:	PART NO.:	
CHKD		DATE		UNIT: mm/in	DWG NO.:	
APPD		DATE		SIZE: A4	TC-FS1212D-X-X	
				WEIGHT	SHEET	REVISION
				1.0g	1/1	A0

XKB INDUSTRIAL PRECISION CO., LIMITED