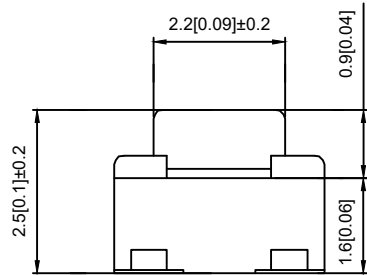
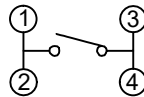


**SPECIFICATION**

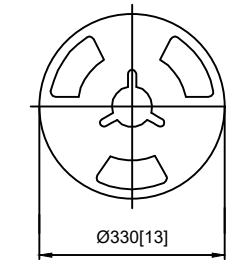
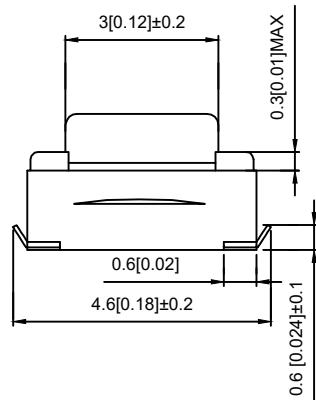
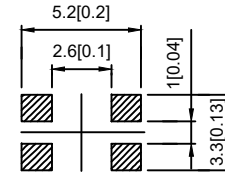
Contact Rating: 50mA,12V DC  
 Contact Resistance: 100mΩ max  
 Insulation Resistance: 100mΩ min.500V DC  
 Dielectric Strength: 250V AC/1minute  
 Travel: 0.20mm  
 Operating Temp: -30°C~+85°C  
 Storage Temp: -30°C~+80°C



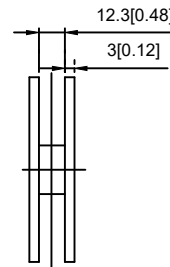
**CIRCUIT DIAGRAM**



**PCB MOUNTING HOLES**



PACKING PEEL TYPE 3000/1REEL(EA)



PAPT NO	TS-1145-X-B
Operating Force	A:100gf B:160gf C:260gf
Height	H:2.5
Keystake	A:PA46 B:Silica gel

ITEM	PAPT NAMF	TER,NO	QTY	MATERIAL	FINISHING	REMARK
⑤	Terminal	—	4	Brass (0.30t)	Plating silvering	—
④	Contact	—	1	F.ag/Sus	Natural	—
③	Base	—	1	LCP		—
②	Cover	—	1	Brass	Plating Nickel	—
①	Keystake	—	1	Silica gel		—

DSND		DATE		SCALE: N/A	MODEL TYPE: <b>TACT SWITCH</b>
DWN		DATE		VIEW:	PART NO.:
CHKD		DATE		UNIT: mm/in	DWG NO.: <b>TS-1145-X-B</b>
APPD		DATE		SIZE: A4	
UNSPECIFIED TOLERANCES				<b>XKB INDUSTRIAL PRECISION CO.,LIMITED</b>	WEIGHT 1.0g
					SHEET 1/1
					REVISION A0

MARK	DESCRIPTION	DATE	REVISED	APPROVED	units: mm	tolerance:
Δx					X.X	±0.2mm
Δx					X.XX	±0.1mm
Δx					X.XXX	±0.05mm
REVISIONS					UNSPECIFIED TOLERANCES	
www.xk-dg.cn www.helloxkb.com www.helloxkb.cn						