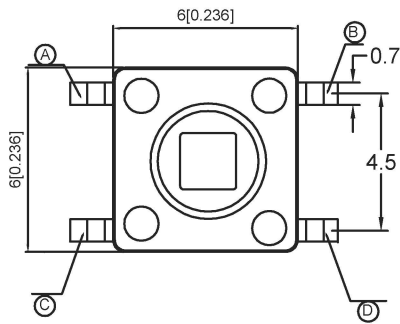
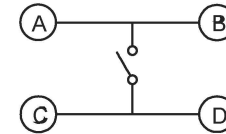
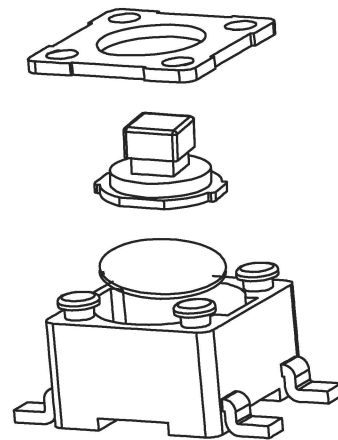
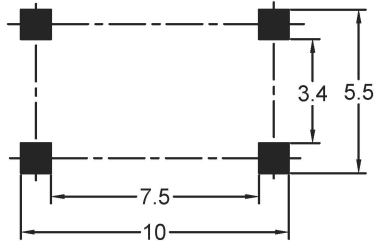


SCHEMATIC



Recommended P.C.B layout



SPECIFICATION

Contact Rating: 50mA, 12V DC  
 Contact Resistance: 100mΩ max  
 Insulation Resistance: 100mΩ min. 500V DC  
 Dielectric Strength: 250V AC/1minute  
 Travel: 0.25mm  
 Operating Temp: -30 ~ +85  
 Storage Temp: -30 ~ +80

PAPT NO	TS-1102T-X
Operating Force	A:100gf B:160gf C:260gf
Height	D:7.3

ITEM	PAPT NAMF	TER.NO	QTY	MATERIAL	FINISHING	REMARK
⑤	Terminal	—	4	Brass (0.30t)	Plating silvering	—
④	Contact	—	1	F.ag/Sus	Natural	—
③	Base	—	1	Pa46	—	—
②	Cover	—	1	Spcc	Plating Nickel	—
①	Keystone	—	1	Pa46	—	—

广东星坤科技股份有限公司

生效日期

文件工程章

REVISIONS	DATE	REVISED	APPROVED	DESCRIPTION

units:	mm
tolerance:	
	X.X ±0.2mm
	X.XX ±0.1mm
	X.XXX ±0.05mm

DSND		DATE		SCALE: N/A	MODEL TYPE: TACT SWITCH
DWN		DATE		VIEW:	PART NO.:
CHKD		DATE		UNIT: mm/in	DWG NO.: TS-1102T-X
APPD		DATE		SIZE: A4	
XKB INDUSTRIAL PRECISION CO., LIMITED				WEIGHT	SHEET
				1.0g	1/1
				REVISION	A0

www.helloxb.com www.helloxb.cn