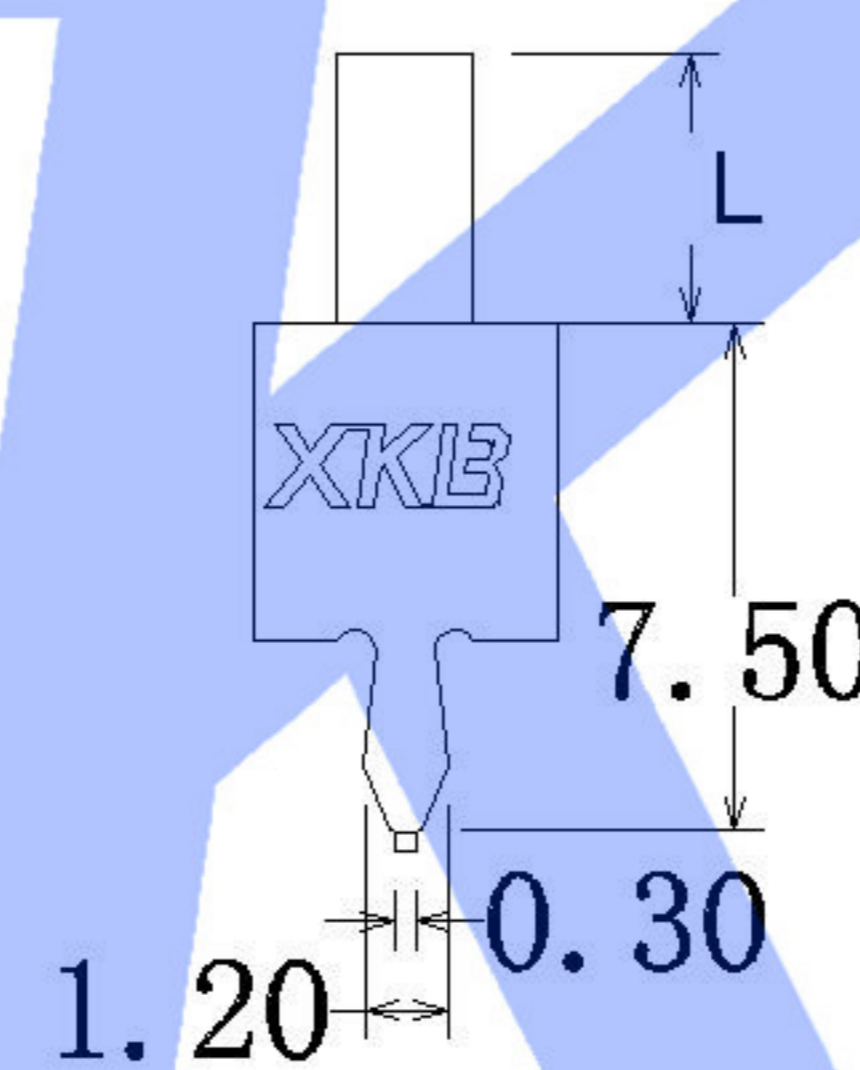
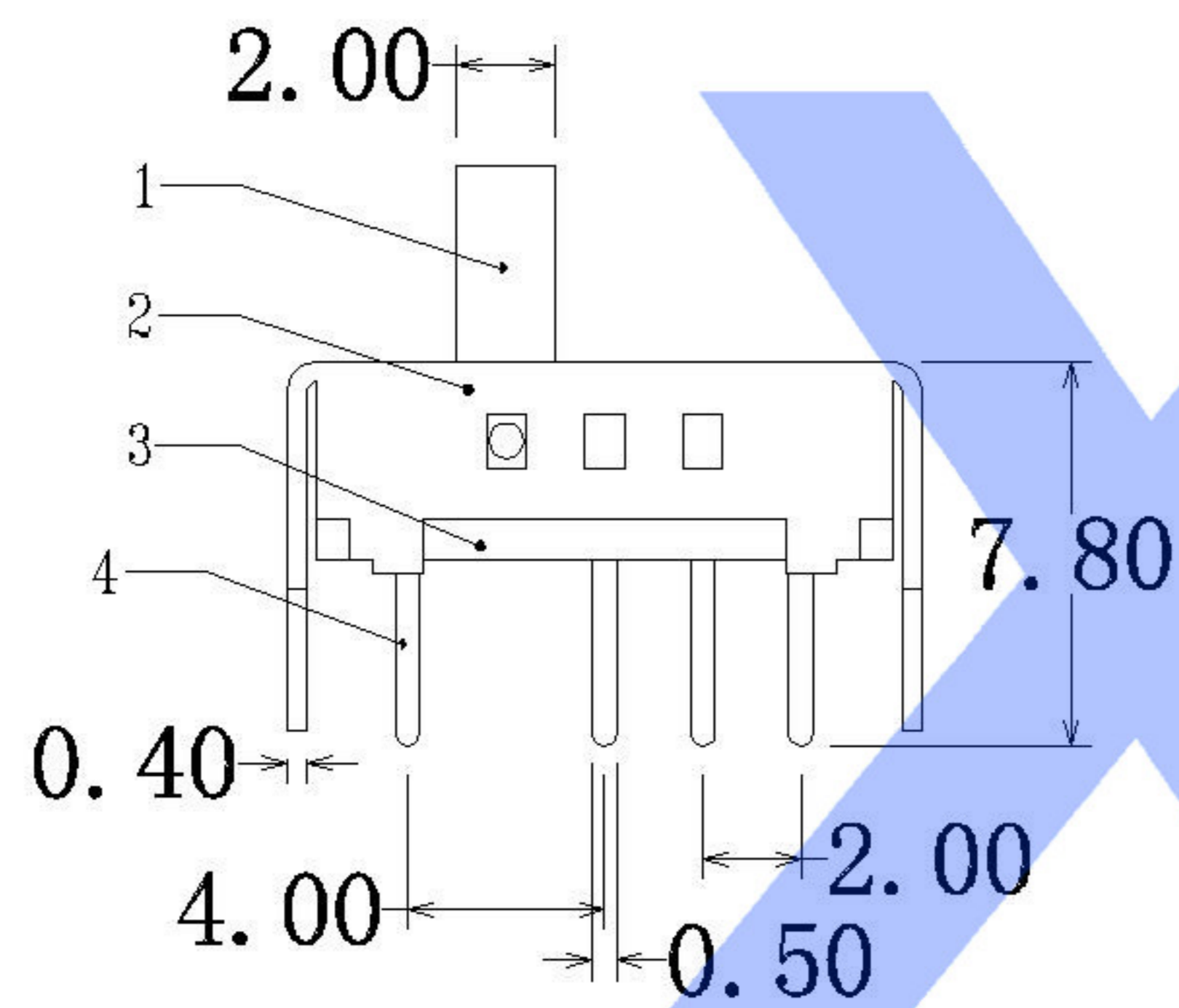
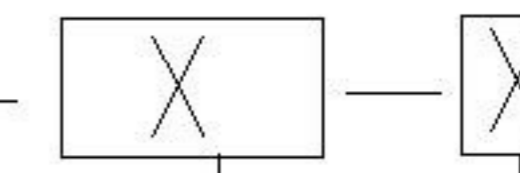


P.C.B LAYOUT
BOTTOM VIEW



SS13D07



L (mm)
2 ~ 12

Colour
B:Black
R:Red

SWITCH CONNECTOR

ITEM	PAPT NAME	TER,NO	QTY	MATERIAL	FINISHING	REMARK
④	Terminal	—	4	Brass (0.30t)	ag Plated	—
③	Base	—	1	Phenolic Resin		—
②	Cover	—	1	Sus	Natural	—
①	Keystake	—	1	Pa66	Black	—

RATING	0.3A 50V DC
CIRCUIT	1P2T
CONTACT RESISTANCE	100m MAX.
TRAVEL	2mm
OPERATING FORCE	250±100gf
OPERATING LIFE(cycles)	10,000

DSND		DATE		SCALE: N/A	MODEL TYPE: SLIDE SWITCH
DWN		DATE		VIEW:	PART NO.: SS13D07
CHKD		DATE		UNIT: mm	DWG NO.: SS13D07XX
APPD		DATE		SIZE: A4	
XKB INDUSTRIAL PRECISION CO.,LIMITED					WEIGHT 1.0g
					SHEET 1/1
					REVISION A0

MARK	DESCRIPTION	DATE	REVISED	APPROVED	UNSPECIFIED TOLERANCES
Δx					ANGLAR ±5°
Δx					L ≤ 4 ±0.2
Δx					4 < L ≤ 16 ±0.3
					16 < L ≤ 63 ±0.4
					L > 63 ±0.5