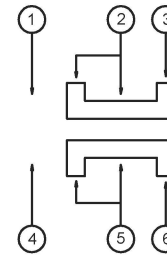
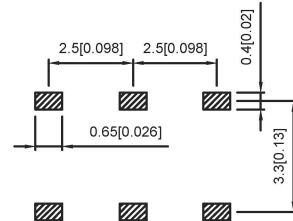
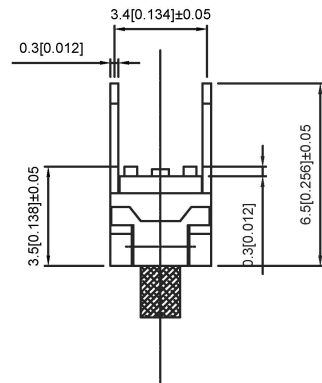


NOTE:
 Rating: DC 12V 50mA
 Operating Force: 200±100gf
 Lifetime: 10,000 Cycles



PAPT NO	L
SS-3235D-02-L1	2.0
SS-3235D-02-L2	3.0
SS-3235D-02-L3	4.0

ITEM	PAPT NAME	TER,NO	QTY	MATERIAL	FINISHING	REMARK
5	Terminal	6	1	Brass (0.30t)	ag Plated	
4	Contact spring	1	1	Phosphor branze	ag Plated	
3	Base	1	1	Pa46	Black	
2	Cover	1	1	Sus	Natural	
1	Keystake	1	1	Pa46	Black	

广东星坤科技股份有限公司

生	日期
效	
ΔX	
ΔX	
ΔX	
MARK	

DESCRIPTION	DATE	REVISED	APPROVED	units: mm
				tolerance: X.X ±0.2mm
				X.XX ±0.1mm
				X.XXX ±0.05mm
				UNSPECIFIED TOLERANCES

DSND	DATE	SCALE: N/A	MODEL TYPE: SLIDE SWITCH
DWN	DATE	VIEW:	PART NO.:
CHKD	DATE	UNIT: mm/in	DWG NO.: SS-3235D-02-X
APPD	DATE	SIZE: A4	WEIGHT: 1.0g
XKB INDUSTRIAL PRECISION CO., LIMITED			SHEET: 1/1
			REVISION: A0