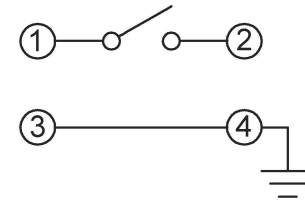
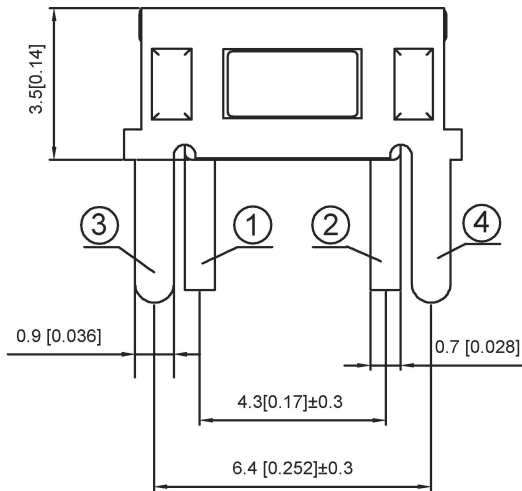


CIRCUIT

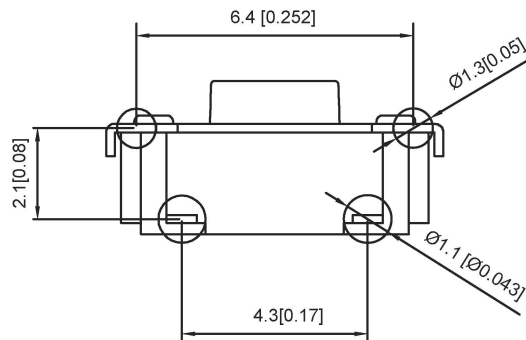


SPECIFICATION

Contact Rating: 50mA, 12V DC
 Contact Resistance: 100mΩ max
 Insulation Resistance: 100mΩ min. 500V DC
 Dielectric Strength: 250V AC/1minute
 Travel: 0.25mm
 Operating Temp: -30°C ~ +85°C
 Storage Temp: -30°C ~ +80°C



PCB LAYOUT



PAPT NO	TS-1188A-X-X
Operating Force	B:160gf C:260gf
Height	H:A:3.55 B:4.3 C:5.0

ITEM	PAPT NAME	TER. NO	QTY	MATERIAL	FINISHING	REMARK
⑤	Terminal	—	4	Brass (0.30t)	Plating silvering	—
④	Contact	—	1	F.ag/Sus	Natural	—
③	Base	—	1	Lcp	—	—
②	Cover	—	1	Brass	Plating Nickel	—
①	Keystake	—	1	Lcp	—	—

广东星坤科技股份有限公司

生效日期

DSND		DATE		SCALE: N/A	MODEL TYPE: TACT SWITCH		
DWN		DATE		VIEW:	PART NO.:		
CHKD		DATE		UNIT: mm/in	DWG NO.: TS-1188A-X-X		
APPD		DATE		SIZE: A4			
KXB INDUSTRIAL PRECISION CO., LIMITED					WEIGHT: 1.0g	SHEET: 1/1	REVISION: A0

文件工程章

REVISIONS
UNSPECIFIED TOLERANCES

www.helloxb.com www.helloxb.cn