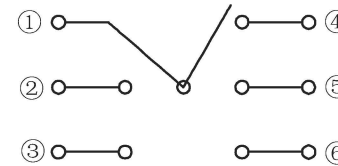
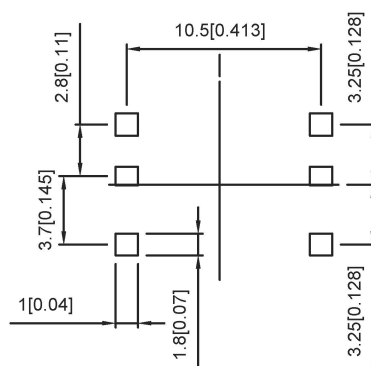
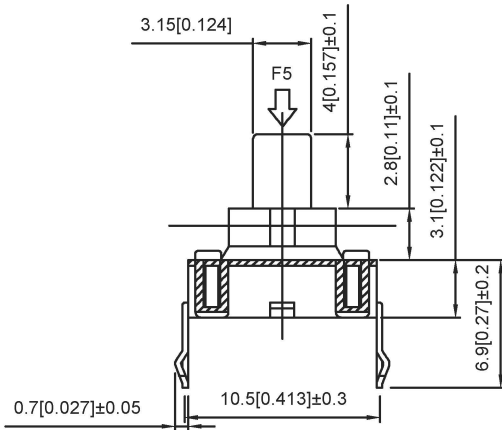


Technical parameter	
Rated load:	0.1A DC12V
Insulation resistance:	100MΩmin(DC100V)
Compressive strength:	AC100V(50/60Hz foy 1 minute)
life:	50,000 cycles
Operating temperature:	-10° c +60 °c
Operating strength:	4-150±50gf
	1-250±50gf



	1	2	3	4	5	6
F1	○			○		
F2	○	○				
F3	○				○	
F4	○			○		
F5	○	○				

ITEM	PAPT NAMF	TER,NO	QTY	MATERIAL	FINISHING	REMARK
⑦		—				
⑥	Contact	—	5	F.ag/Brass	Plating silver	
⑤	Terminal	—	6	Brass(0.15t)	Plating silver	
④	Base	—	1	Lcp		
③	Cover	—	1	Sus		
②	Axle sleeve	—	1	Lcp		
①	Knob	—	1	PA66		

广东星坤科技股份有限公司

生	日期
ΔX	ΔX
ΔX	ΔX
MARK	REVISIONS

文件工程章

DATE	REVISED	APPROVED	UNSPECIFIED TOLERANCES

DSND	DATE	SCALE: N/A
DWN	DATE	VIEW:
CHKD	DATE	UNIT: mm/in
APPD	DATE	SIZE: A4

MODEL TYPE:	PART NO.:	DWG NO.:	WEIGHT	SHEET	REVISION
MULTI-FUNCTIONAL SWITCH		TM-2028	1.0g	1/1	A0

XKB INDUSTRIAL PRECISION CO., LIMITED