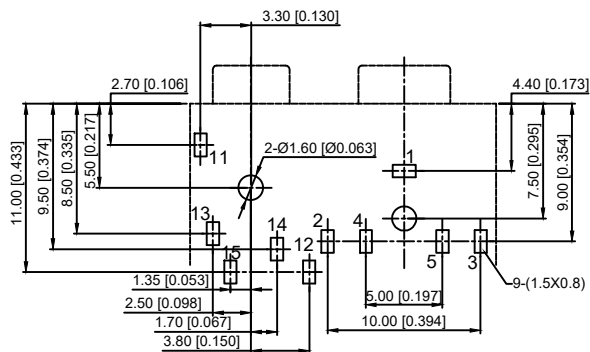
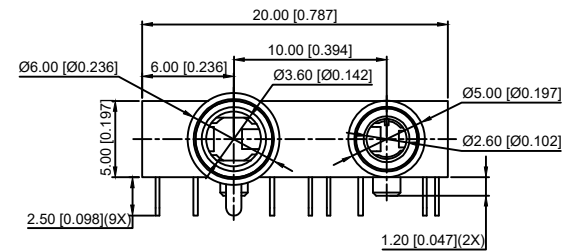
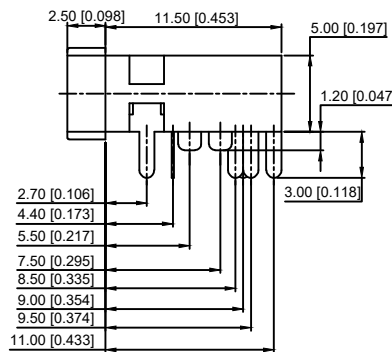


PJ-3057X-1

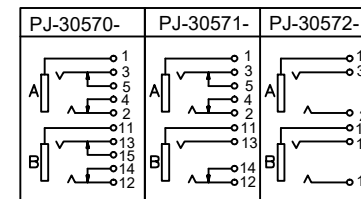


RECOMMENDED P.C.B. LAYOUT
UNSPECIFIED TOLERANCE:±0.05
(TOP VIEW)



Copper set
PJ-3057X-2

SCHMATIC



| | MATERIAL | PLATING |
|------------|-----------------|---------|
| terminal 1 | Phosphor Bronze | tin |
| terminal 2 | Phosphor Bronze | tin |
| terminal 3 | Phosphor Bronze | tin |
| terminal 4 | Brass | tin |
| terminal 5 | Brass | tin |
| plastic | Pbt | |

| | MATERIAL | PLATING |
|-------------|-----------------|---------|
| terminal 11 | Phosphor Bronze | tin |
| terminal 12 | Phosphor Bronze | tin |
| terminal 13 | Phosphor Bronze | tin |
| terminal 14 | Brass | tin |
| terminal 15 | Brass | tin |
| plastic | Pbt | |

| | | | | | DSND | DATE | SCALE: N/A | MODEL TYPE: 3.5 PHONE JACK |
|---|-------------|------|---------|-------------|------------------------|---------------------------------------|-------------|-------------------------------|
| | | | | ANGLAR | | | VIEW: | PART NO.: |
| ΔX | | | | L ≤ 4 | | DATE | UNIT: mm/in | DWG NO.: PJ-3057X-X |
| ΔX | | | | 4 < L ≤ 16 | ±0.3 | DATE | SIZE: A4 | |
| ΔX | | | | 16 < L ≤ 63 | ±0.4 | DATE | | |
| MARK | DESCRIPTION | DATE | REVISED | APPROVED | L > 63 | DATE | | |
| REVISIONS | | | | | UNSPECIFIED TOLERANCES | XKB INDUSTRIAL PRECISION CO., LIMITED | | |
| www.xk-dg.cn www.helloxkb.com www.helloxkb.cn | | | | | | | | WEIGHT 1.0g |
| | | | | | | | | SHEET 1/1 |
| | | | | | | | | REVISION A0 |