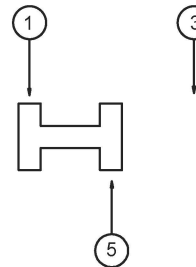
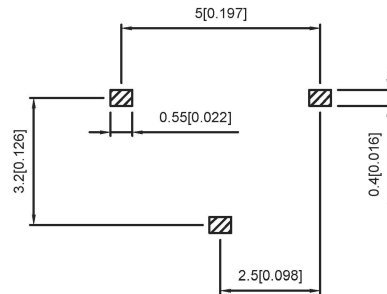
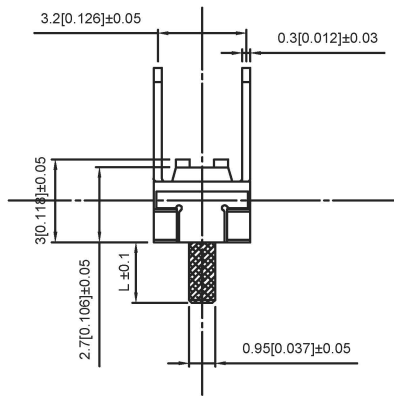


NOTE:
 Rating: DC 12V 50mA
 Operating Force: 200±100gf
 Lifetime: 10,000 Cycles

| PAPT NO | L |
|----------------|-----|
| SS-3235D-01-L1 | 2.0 |
| SS-3235D-01-L2 | 3.0 |
| SS-3235D-01-L3 | 4.0 |
| | |
| | |



| ITEM | PAPT NAME | TER,NO | QTY | MATERIAL | FINISHING | REMARK |
|------|----------------|--------|-----|-----------------|-----------|--------|
| 5 | Terminal | 3 | 3 | Brass (0.30t) | ag Plated | |
| 4 | Contact spring | 1 | 1 | Phosphor bronze | ag Plated | |
| 3 | Base | 1 | 1 | Pa46 | Black | |
| 2 | Cover | 1 | 1 | Sus | Natural | |
| 1 | Keystake | 1 | 1 | Pa46 | Black | |

广东星坤科技股份有限公司

| 生 | 日期 |
|------|----|
| ΔX | |
| ΔX | |
| ΔX | |
| MARK | |

| DESCRIPTION | DATE | REVISED | APPROVED | units: mm | tolerance: |
|-------------|------|---------|----------|------------------------|------------|
| | | | | X.X ±0.2mm | |
| | | | | X.XX ±0.1mm | |
| | | | | X.XXX ±0.05mm | |
| | | | | UNSPECIFIED TOLERANCES | |

| DSND | DATE | SCALE: N/A | MODEL TYPE: |
|---------------------------------------|------|-------------|------------------------|
| DWN | DATE | VIEW: | SLIDE SWITCH |
| CHKD | DATE | UNIT: mm/in | PART NO.: |
| APPD | DATE | SIZE: A4 | DWG NO.: SS-3235D-01-X |
| KKB INDUSTRIAL PRECISION CO., LIMITED | | | WEIGHT: 1.0g |
| | | | SHEET: 1/1 |
| | | | REVISION: A0 |

文件工程章