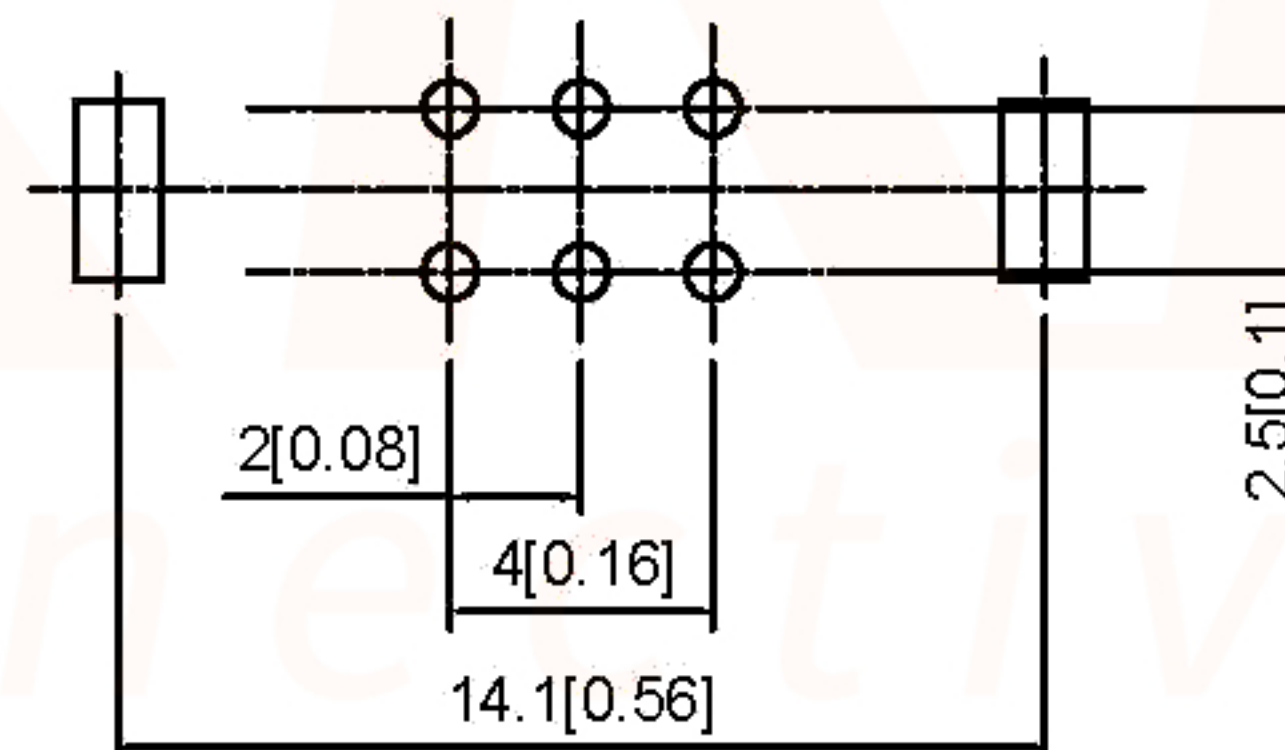
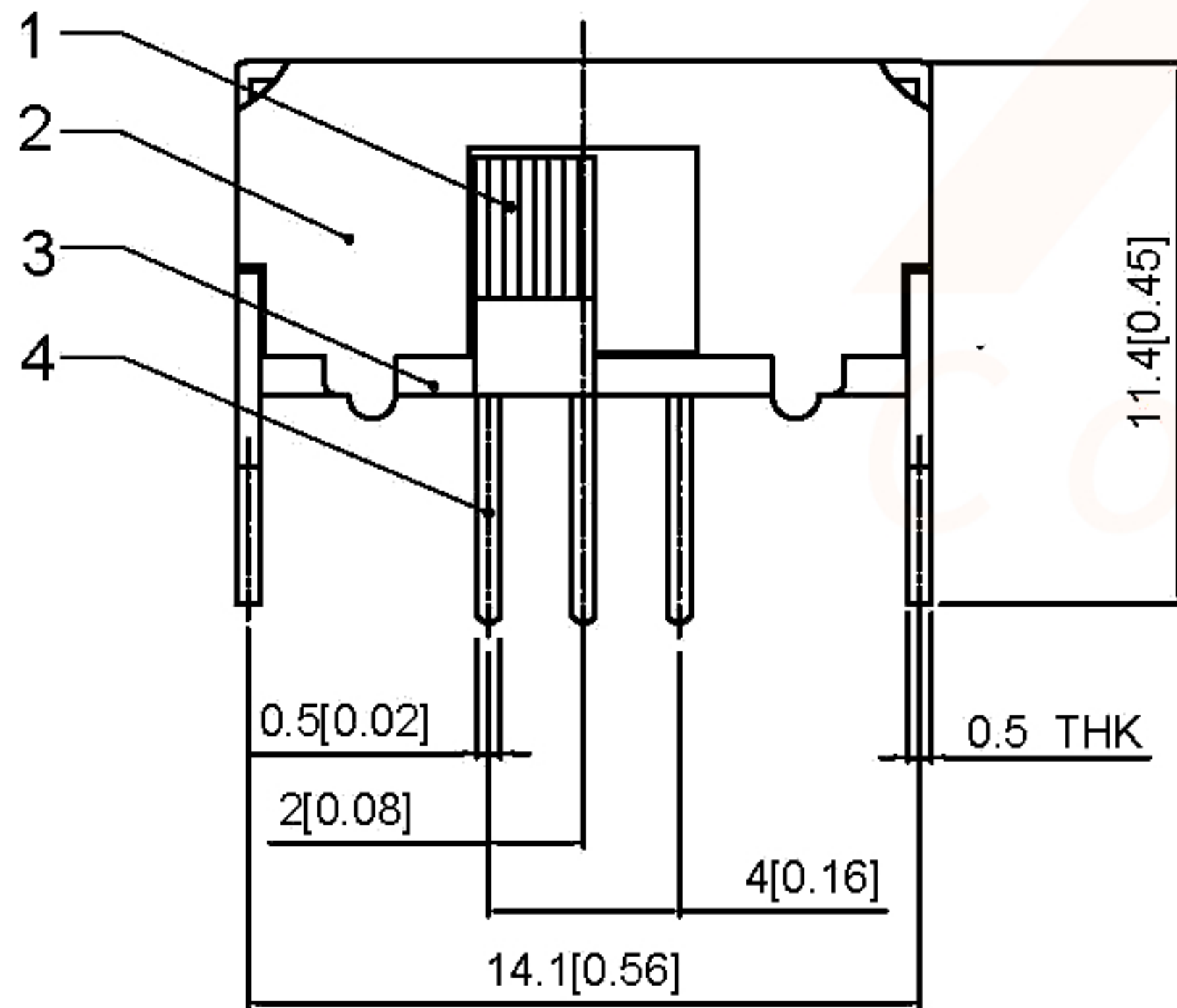


SCHEMATIC (NON-SHORTING)

SK22D15-X

L(MM)
2~9



P.C.B LAYOUT
BOTTOM VIEW

ITEM	PAPT NAMF	QTY	MATERIAL	FINISHING	REMARK
⑥	SPRING	1	SUS STRIP	NATURAL	
⑤	CONTACT CLIP	2	PBS STRIP	AG CLAD	
④	TERMINAL	6	BRASS STRIP	AG PLATED	
③	BASE	1	PHENOLIC RESIN	NATURAL	
②	FRAME	1	STEEL STRIP	NI PLATED	
①	KNOB	1	PA66	BLACK	

DSND	DATE	SCALE: N/A	MODEL TYPE: SLIDE SWITCH
DWN	DATE	VIEW:	PART NO.:
CHKD	DATE	UNIT: mm/in	DWG NO.: SK22D15X
APPD	DATE	SIZE: A4	WEIGHT: 1.0g
XKB INDUSTRIAL PRECISION CO., LIMITED			SHEET: 1/1
UNSPECIFIED TOLERANCES			REVISION: A0

MARK	DESCRIPTION	DATE	REVISED	APPROVED	units: mm
ΔX					tolerance: X.X ±0.2mm
ΔX					X.XX ±0.1mm
ΔX					X.XXX ±0.05mm
					UNSPECIFIED TOLERANCES