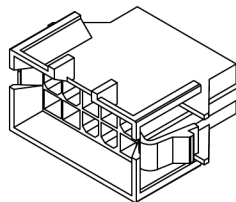
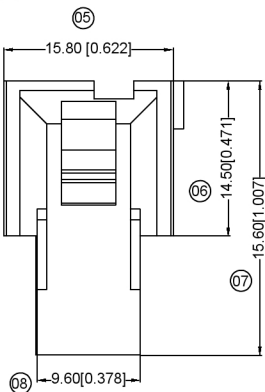
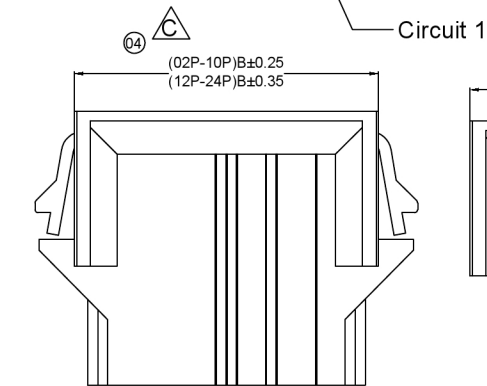
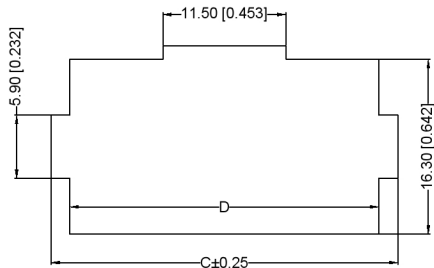
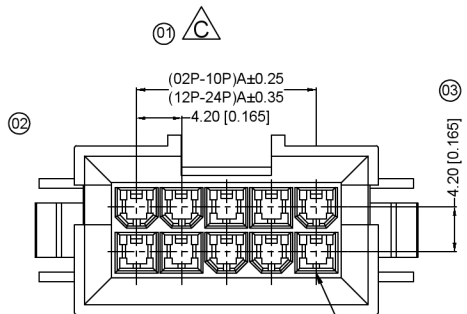


Xi:B



Specifications:
 规格: **XKB**
 Voltage rating:600V AC/DC
 额定电压: 60V AC/DC
 Current rating:9A AC/DC
 额定电流: 9A AC/DC
 Withstanding voltage:1500V AC/minute
 耐受电压: 1500V AC/分钟
 Temperature range:-25℃+85℃
 温度范围: -25℃+85℃
 Insulation resistance:≥1000MΩ
 绝缘电阻: ≥1000MΩ
 Contact resistance:≤10mΩ
 接触电阻: ≤10mΩ
 After environmental testing:≤20mΩ
 环境测试后: ≤20mΩ

X9357 H F-2*XX B-NO XX
 01 02 03 04 05 06 07

- 01 Series No.
- 02 Category:H-HSG
- 03 Welding Board Angle:
Blank-ordinaryF-Fmale HGS
- 04 Row No.-Pin No.:2*XX-Doublerow
- 05 Plug the Pin & special No.: B-With a trough
- 06 Material:NO-PA66 94V-0
- 07 Color:Blank-natural color

| Poles | Dimensions(mm) | | | |
|-------|----------------|-------|-------|-------|
| | A | B | C | D |
| 04 | 4.20 | 15.80 | 19.80 | 16.30 |
| 06 | 8.40 | 20.00 | 24.00 | 20.50 |
| 08 | 12.60 | 24.20 | 28.20 | 24.70 |
| 10 | 16.80 | 28.40 | 32.40 | 28.90 |
| 14 | 25.20 | 26.80 | 40.80 | 37.30 |
| 18 | 33.60 | 45.20 | 49.20 | 45.70 |
| 20 | 37.80 | 19.40 | 53.40 | 49.90 |
| 22 | 46.20 | 67.80 | 61.80 | 58.30 |

广东星坤科技股份有限公司

生 日期
 發 日期

文件工程章

REVISIONS
 www.heloxkb.com

| XKB | ANGLR | ±5° |
|-------------|-------|------|
| L ≤ 4 | | ±0.2 |
| 4 < L ≤ 16 | | ±0.3 |
| 16 < L ≤ 63 | | ±0.4 |
| L > 63 | | ±0.5 |

UNSPECIFIED TOLERANCES

| X9357HF-2*XKB-NO | Nylon 66 UL 94V-0 | 9357TM | X9357HM-B | 9357WR-B |
|--------------------------------------|-------------------|------------------------|--|--------------|
| PART NO | Material | Suitable Xi:B Terminal | Suitable Xi:B Terminal | |
| DSND | DATE | SCALE: N/A | MODEL TYPE: X9357HF-2*XKB-NO | |
| DWN | DATE | VIEW: | PART NO.: 2.40mm Crimp Style Connectors | |
| CHKD | DATE | UNIT: mm/in | DWG NO.: | |
| APPD | DATE | SIZE: A4 | | |
| XKB INDUSTRIAL PRECISION CO.,LIMITED | | | WEIGHT 1.0g | SHEET 1/1 |
| | | | REVISION A0 | |