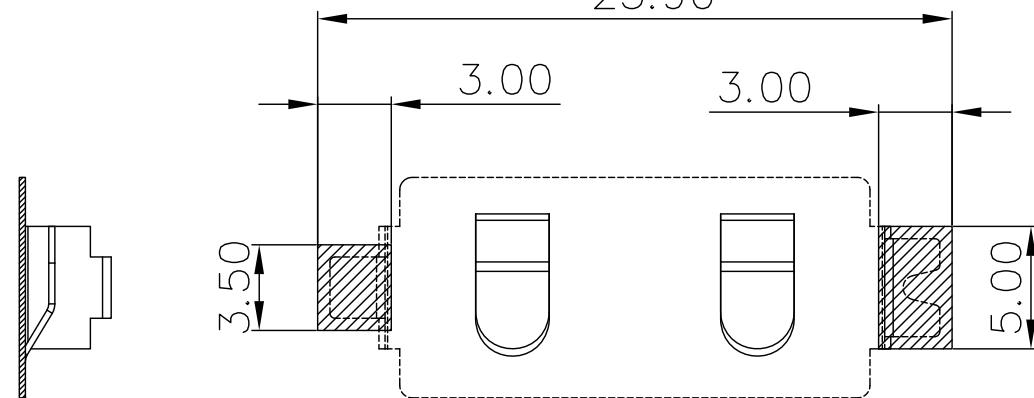
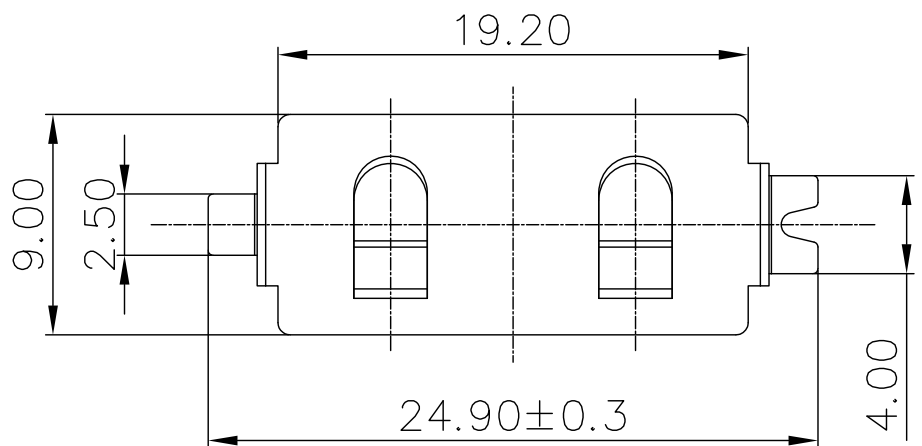
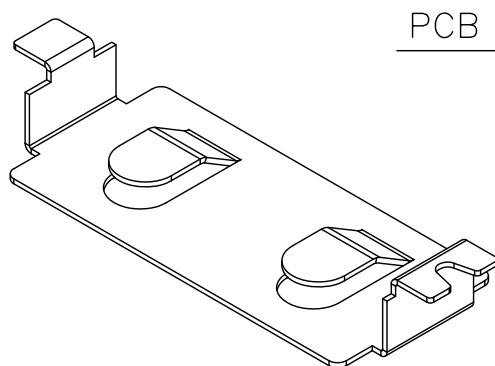
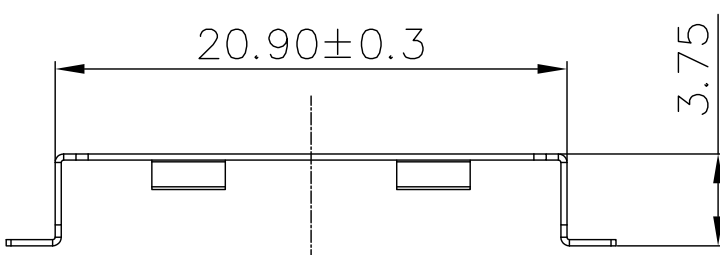




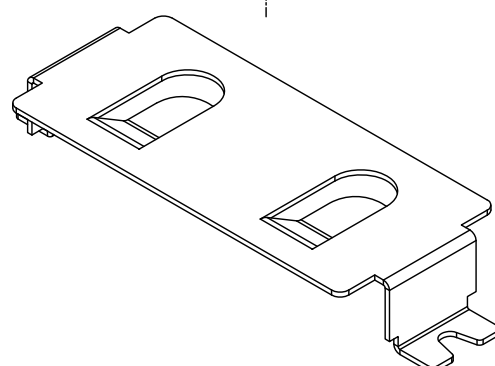
REV.	ECN NO.	REVISED	DATE



PCB Layout Diagram  
Top View



工程部  
2019-07-24  
LQ. HUANG



UNLESS OTHERWISE SPECIFIED TOLERANCES		<b>MYOUNG 美阳</b> <a href="http://www.meiyangdz.com">www.meiyangdz.com</a>	
DECIMALS: X :±0.30 X.X :±0.25 X.XX :±0.20 X.XXX :±0.10	ANGLES: X :±1° X.X :±0.5°	DSND YangFeng	DATE 2019-07-24
WEIGHT: g		CHKD ZhouRuicai	DATE 2019-07-24
SHEET 1 OF 1		APVD XueShunyong	DATE 2019-07-24
NO. PART NAME Q'TY MATERIAL PLATING & COLOR		SCALE: UNIT: mm	VIEW:
1 TERMINAL(+) 1 PHOSPHOR BRONZE, T=0.25mm Ni-Plating		SIZE: A4	TITLE: 电池扣CR2032-H03 SMT
		REV.: A/0	PART NO.: MY-2032-16
		OBJECT: MY	DRAW NO.:MY-CP-0209

1	TERMINAL(+)	1	PHOSPHOR BRONZE, T=0.25mm	Ni-Plating
NO.	PART NAME	Q'TY	MATERIAL	PLATING & COLOR