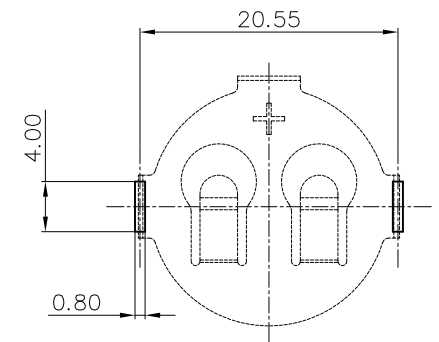
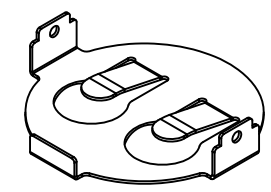
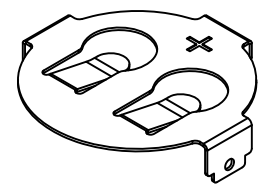
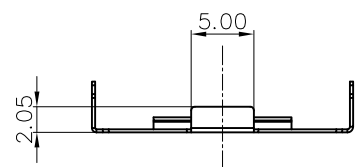
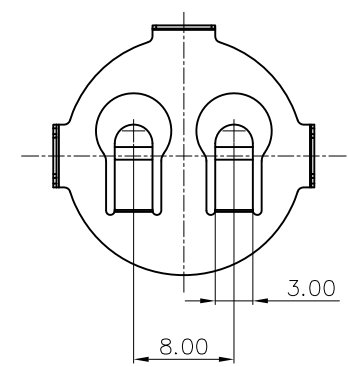
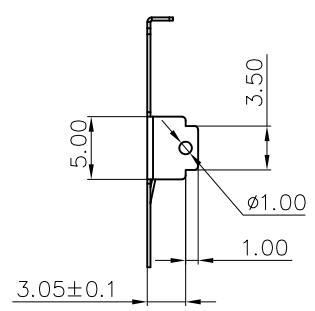
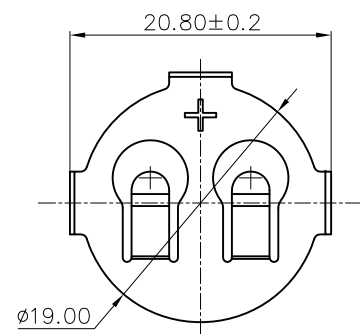




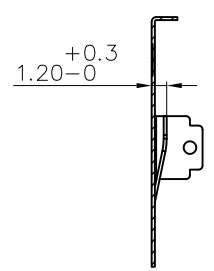
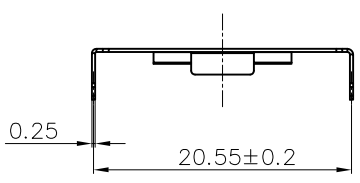
REV.	ECN NO.	REVISED	DATE



PCB Layout Diagram
Top View



工程部
2020-11-14
LQ. HUANG



技术要求:

- 1、截断面毛刺高度 ≤ 0.03mm;
- 2、部件要求平整,无变形、裂纹、损伤等外观缺陷;

UNLESS OTHERWISE SPECIFIED TOLERANCES		MYOUNG 美阳 www.meiyangdz.com	
DECIMALS: X :±0.30 X.X :±0.25 X.XX :±0.20 X.XXX :±0.10	ANGLES: X :±1° X.X :±0.5°	DSND YangFeng	DATE 2020-11-14
		CHKD ZhouRuicai	DATE 2020-11-14
		APVD XueShunyong	DATE 2020-11-14
WEIGHT:		SCALE:	VIEW:
SHEET 1 OF 1		SIZE: A4	REV.: A/0
		UNIT: mm	OBJECT: MY
		TITLE: 电池扣CR2025-Y DIP	
		PART NO.: MY-2025-01	
		DRAW NO.:MY-CP-0252	

1	TERMINAL+	1	SPCC T=0.25mm	Ni-Plating
NO.	PART NAME	Q'TY	MATERIAL	PLATING & COLOR