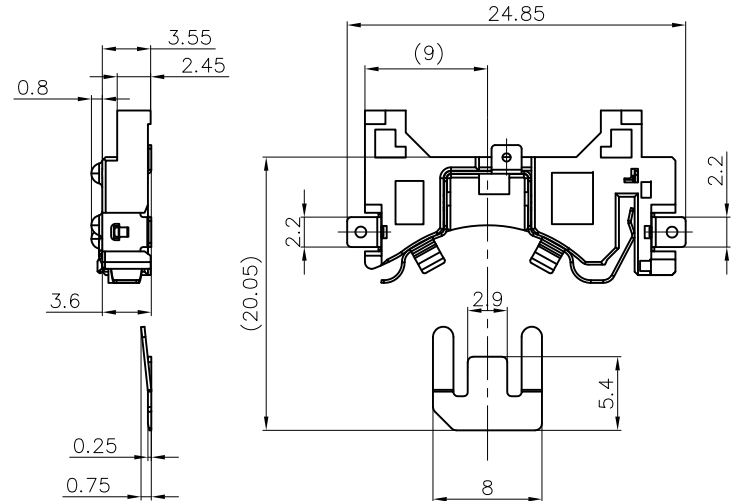
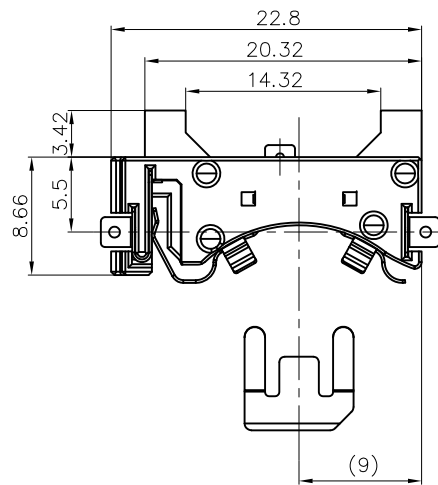




REV.	ECN NO.	REVISED	DATE



NOTE:  
 1.MATERIAL:  
 a.HOUSING:LCP BLACK  
 b.CONTACT(+and-):PHOSPHOR BRONZE  
 c.CONTACT(ST,HT):BRASS COPPER (SURFACE PLATING: Au 1u")  
 SEE ORDERING INFORMATION  
 2.ELECTRIC:  
 a.CONTACT RESISTANCE: 100 MILLIOHMS MAX  
 b.INSULATION RESISTANCE: 100 MEGA OHMS MIN  
 c.DIELECTNIC VOLTAGE: 500V AC ONE SEC LEVEL  
 d.OPERATING TEMPERATURE: -25° C~ +85° C

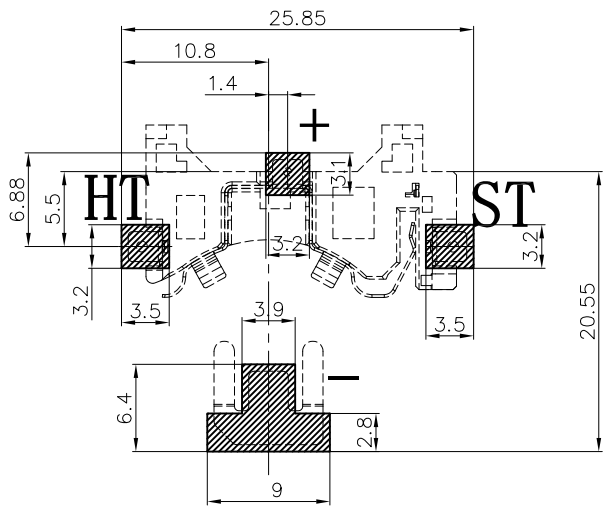
ORDERING INFORMATION  
**BS-7111-B4BA001**

纽扣式电池座  
 电池型号  
 SMT 180° TYPE

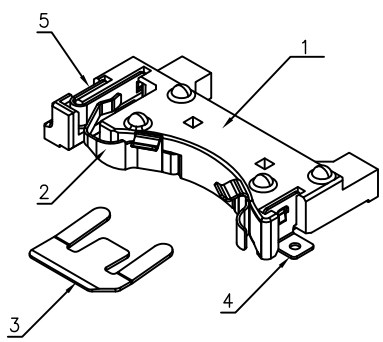
PLATING:  
 A-Au1U"  
 J-Ni100U"~120U"  
 K-Sn100U"~120U"

MATERIAL:  
 1A-PBT BLACK  
 1B-PA66 BLACK  
 2A-PPA BROWN  
 2B-PPA BLACK  
 3A-PPS BROWN  
 3B-PPS BLACK  
 4A-LCP WHITE  
 4B-LCP BLACK  
 5A-PA9T BLACK

工程部  
 2021-07-21  
 LQ. HUANG



PCB Layout Diagram  
 Bottom View



5	STATIC TERMINAL	1	H62 T=0.2mm	Au-Plating
4	HOOK TERMINAL	1	H62 T=0.2mm	Au-Plating
3	TERMINAL-	1	C5191 T=0.25mm	Au-Plating
2	TERMINAL+	1	C5210 T=0.2mm	Au-Plating
1	HOUSING	1	LCP UL94 V-0	BLACK
NO.	PART NAME	Q'TY	MATERIAL	PLATING & COLOR

UNLESS OTHERWISE SPECIFIED TOLERANCES		<b>MYOUNG 美阳</b> <a href="http://www.meiyangdz.com">www.meiyangdz.com</a>	
DECIMALS: X :±0.30 X.X :±0.25 X.XX :±0.20 X.XXX :±0.10	ANGLES: X :±1° X.X :±0.5°	DSND YangFeng	DATE 2021-07-21
WEIGHT:		CHKD ZhouRuicai	DATE 2021-07-21
SHEET 1 OF 1		APVD XueShunyong	DATE 2021-07-21
SCALE:	SIZE: A4	VIEW:	TITLE: 电池座BS-7111与负极片组合
UNIT: mm	REV.: A/0	OBJECT: MY	PART NO.: BS-7111-B4BA001
			DRAW NO.:MY-CP-0257