



REV.	ECN NO.	REVISED	DATE

OTE:

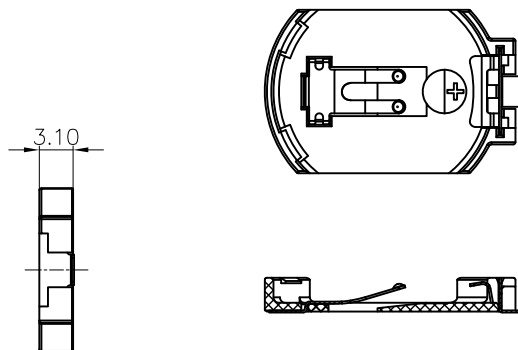
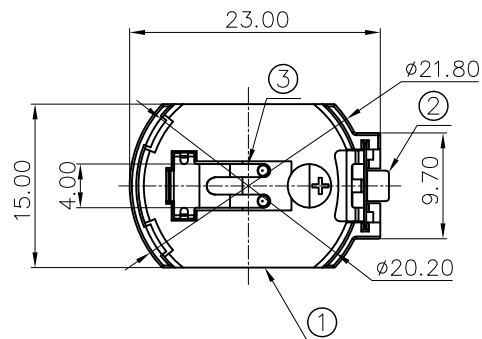
1.MATERIAL:

- a.HOUSING:LCP WHITE
- b.CONTACT:PHOSPHOR BRONZE  
(SURFACE PLATING: Au 1u")

SEE ORDERING INFORMATION

2.ELECTRIC:

- a.CONTACT RESISTANCE: 30 MILLIOHMS MAX
- b.INSULATION RESISTANCE: 100 MEGA OHMS MIN
- c.DIELECTNIC VOLTAGE: 500V AC ONE SEC LEVEL
- d.OPERATING TEMPERATURE: -25° C~ +85° C



### ORDERING INFORMATION

## BH-2016-B4AA003

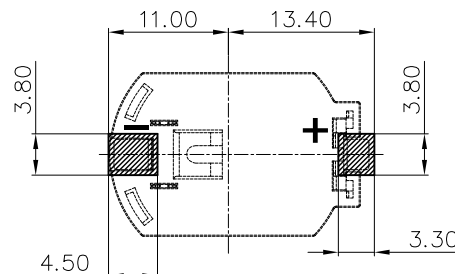
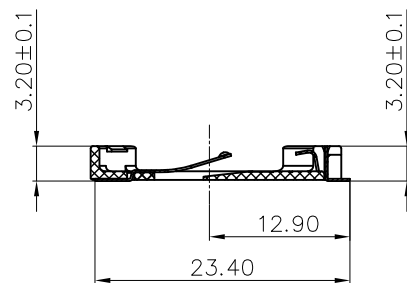
电池盒

电池型号

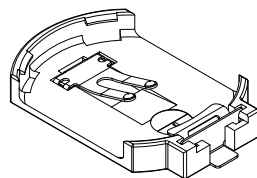
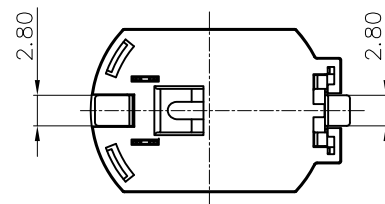
SMT 180° TYPE

PLATING:  
A-Au1U"  
J-Ni100U"~120U"  
K-Sn100U"~120U"

MATERIAL:  
1A-PBT BLACK  
1B-PA66 BLACK  
2A-PPA BROWN  
2B-PPA BLACK  
3A-PPS BROWN  
3B-PPS BLACK  
4A-LCP WHITE  
4B-LCP BLACK  
5A-PA9T BLACK



PCB Layout Diagram  
Bottom View



NO.	PART NAME	Q'TY	MATERIAL	PLATING & COLOR
3	TERMINAL-	1	PHOSPHOR BRONZE, T=0.2mm	Au-Plating
2	TERMINAL+	1	PHOSPHOR BRONZE, T=0.2mm	Au-Plating
1	HOUSING	1	LCP	WHITE

UNLESS OTHERWISE SPECIFIED TOLERANCES		<b>MYOUNG 美阳</b> <a href="http://www.meiyangdz.com">www.meiyangdz.com</a>	
DECIMALS: X :±0.30 X.X :±0.25 X.XX :±0.20 X.XXX :±0.10	ANGLES: X :±1° X.X :±0.5°	DSND YangFeng	DATE 2021-07-16
WEIGHT:		CHKD ZhouRuicai	DATE 2021-07-16
SHEET 1 OF 1		APVD XueShunyong	DATE 2021-07-16
SCALE:	SIZE: A4	VIEW:	TITLE: BS-2016-8-2 Au SMT
UNIT: mm	REV.: A/0	OBJECT: MY	PART NO.: BS-2016-B4AA003
			DRAW NO.:MY-CP-0266