

## KINGHOR SWITCH

## PRODUCT SPECIFICATION 产品规格书

文件编号	FILE NO.	H3-B1-1B05W2-2-300	文件版次	EDITION	A1
产品编码	PART NO.	H3-B1-1B05W2-2-300			
产品描述	Product Name	Micro Switch			
1	<b>General Characteristics 一般特性:</b>				
1.1	Application: This specification is applied to the micro switch (H3) for general applications. 适用范围: 该承认书指微动开关 (H3) 的一般使用范围。				
1.2	Operating Temperature Range: -25°C to +85°C 使用温度范围: -25°C to +85°C Preservative Temperature Range: -25°C to +85°C 保存温度范围: -25°C to +85°C				
1.3	Operating Relative Humidity: ≤85%RH 相对湿度: ≤85%RH				
1.4	Test Conditions: Unless otherwise specified, the atmospheric conditions for making measurements and tests are as follows: 实验条件: 若没有特别说明, 则试验大气条件如下: Ambient Temperature: 5~35°C 环境温度: 5~35°C Relative Humidity: 45~85% 相对湿度: 45~85% Air Pressure: 86~106Kpa (860~1060mbar) 大气压力: 86~106Kpa (860~1060mbar)				
2.	<b>Appearance, Structure and Dimensions 外观, 结构及尺寸:</b>				
2.1	Appearance: The switch shall have good finishing, and no rust, crack or plating defects. 外观: 产品外观良好, 无锈蚀、裂纹和镀层缺陷。				
2.2	Structure & Dimensions: Refer to individual product drawing. 结构及尺寸: 参见产品图纸				
2.3	Markings: Refer to individual product drawing. 标识: 参见产品图纸。				
3.	<b>Ratings 额定负荷</b>	CERTIFICATION	RATING	LIFE CYCLES	FILE NO.
			0.1A 125/250VAC; 3A 12VDC 0.1A 48VDC u 25T85	100,000	
<b>4. Electrical Characteristics 电气特性</b>					
No.	Item 项目	Criteria 标准	Test Method 实验方法		
4.1	Insulation Resistance 绝缘电阻	100 MΩ min. 100 MΩ min.	100VDC voltage is applied between each pair of terminals and between the terminal and the metal frame for 60±5S. 在相互绝缘的所有端子之间及各接线端子与外露的非载流金属零件之间加载100V直流电, 持续时间60±5S。		

## KINGHOR SWITCH

## PRODUCT SPECIFICATION 产品规格书

文件编号	FILE NO.	H3-B1-1B05W2-2-300	文件版次	EDITION	A1
产品编码	PART NO.	H3-B1-1B05W2-2-300			
产品描述	Product Name	Micro Switch			
4.2	Dielectric Voltage 抗电强度	No dielectric breakdown shall occur. 无击穿现象发生。	1000VAC (50~60Hz, cut - off current 10mA) is applied between non-connected terminals and 1000VAC between terminals and the metal frame for 60 ±5s. 在相互绝缘的所有接线端子之间1000V (50-60Hz) 交流电, 各接线端子与外壳或非载流金属零件之间加载1000V (50-60Hz) 交流电, 持续时间60±5S。		
<b>5. Mechanical Characteristics 机械特性</b>					
No.	Item 项目	Criteria 标准	Test Method 实验方法		
5.1	Operating Force 操作力	See product drawing 参见产品图纸	Apply a tension load on the midpoint of the actuator (or 1mm to the tip of the shaft) to supply a pressure vertically from its free position to operating position. 在操作元件中间(或在离操作元件末端1mm处)沿操作方向均匀施加静载荷, 使操作元件转换到动作位置。		
5.2	Releasing Force 回复力	See product drawing 参见产品图纸	A static load shall be reduced to the tip of actuator in operating direction to change component from operating position to release position. 在操作元件末端沿操作方向均匀减少静载荷, 使操作元件从动作位置转换到释放位置。		
5.3	Free position 自由位置	See product drawing 参见产品图纸	The position where the actuator lead the Displacements when its out of force or the force is not enough to drive the actuator. 驱动件在不承受操作力以及不足以引起位移时所处的位置		
5.4	Operating Position 操作位置	See product drawing 参见产品图纸	The distance from the end of operating component to the center of mount hole when switch is being transformed 开关发生转换时, 操作元件末端到开关安装孔中心的距离		
5.5	Pre Travels 行程	See product drawing 参见产品图纸	The distance vertically through, which the midpoint of the actuator (or tip of the shaft) trip move from its free position to operating position. 从自由位置到动作位置的距离。		
5.6	Differential Travel 差程	See product drawing 参见产品图纸	The distance from operating position to release position 从动作位置到释放位置的距离。		
5.7	Over travel 超行程	See product drawing 参见产品图纸	The displacements of actuator form operation to total travel position. 驱动件从动作位置到全行程位置间的位移。		

## KINGHOR SWITCH

## PRODUCT SPECIFICATION 产品规格书

文件编号	FILE NO.	H3-B1-1B05W2-2-300	文件版次	EDITION	A1
产品编码	PART NO.	H3-B1-1B05W2-2-300			
产品描述	Product Name	Micro Switch			

## 6. Durability characteristics

No.	Item 项目	Criteria 标准	Test Method 实验方法
6.1	Mechanical Life	After test, Insulation resistance:50M $\Omega$ min. The electrical performance requirements specified in item 4.2 shall be satisfied. The switch shall be free from abnormalities in appearance construction. Operating force: within $\pm 30\%$ initialization value.	500,000 cycles of operation shall be performed continuously at a rate of 60 cycles per minute without load.
	机械寿命	实验后: 绝缘电阻: 50M $\Omega$ min. 电气性能应符合第4.2条的要求。 开关外观及结构应无损坏。 操作力变化为初始值的 $\pm 30\%$ 。	在不带负荷的条件下, 速度为60次/分, 在寿命试验设备上连续转换500,000次。
6.2	Operating Life with Load	After test, Insulation resistance:10M $\Omega$ min. The electrical performance requirements specified in item 4.2 shall be satisfied. The switch shall be free from abnormalities in appearance construction. Operating force: within $\pm 30\%$ initialization value.	IEC61058-1: 100,000 cycles of oper a shall be performed continuously at a rate of 30 cycles per minute with load as follow: Refer to individual product drawing (Resistive Load)
	负荷寿命	实验后: 绝缘电阻: 10M $\Omega$ min. 电气性能应符合第4.2条的要求。 开关外观及结构应无损坏。 操作力变化为初始值的 $\pm 30\%$ 。	IEC61058-1: 在产品图纸标示负荷的下, 在寿命试验设备上连续转换100,000次, 30次/分。

## 7. Weather Proof Characteristics 耐候性能:

7.1	Cold Proof		After testing at $-25 \pm 2^\circ \text{C}$ for 96 hours, the switch shall be allowed to stand under normal temperature and humidity conditions for 1 hour, and measurement shall be made within 1 hour after that. Water drops shall be eliminated.
	低温		试件在 $-25 \pm 2^\circ \text{C}$ 的温控箱内保持96小时, 然后在正常温度和湿度下恢复1小时, 并在此后1小时内对试品进行测量, 水滴应消失。

## KINGHOR SWITCH

## PRODUCT SPECIFICATION 产品规格书

文件编号	FILE NO.	H3-B1-1B05W2-2-300	文件版次	EDITION	A1
产品编码	PART NO.	H3-B1-1B05W2-2-300			
产品描述	Product Name	Micro Switch			
7.2	Hot Proof	After test, Insulation resistance: 50M $\Omega$ Min.	After testing at 85 $\pm$ 2 $^{\circ}$ C for 96 hours, the switch shall be allowed to stand under normal temperature and humidity conditions for 1 hour, and measurement shall be made within 1 hour after that.		
	高温		试件在85 $\pm$ 2 $^{\circ}$ C的温控箱内保持96小时, 然后在正常温度和湿度下恢复1小时, 并在此后1小时内对试品进行测量, 水滴应消失。		
7.3	Moisture Resistance	The Electrical performance requirements specified in item 4.2 shall be satisfied. The switch shall be free from abnormalities in appearance & construction.	After testing at 60 $\pm$ 2 $^{\circ}$ C , 90~95% RH for 96 hours, the switch shall be allowed to stand under normal temperature and humidity conditions for 1 hour, and measurement shall be made within 1 hour after that. Water drops shall be eliminated.		
	恒定湿热	实验后: 绝缘电阻: 50M $\Omega$ Min. 电气性能应符合第4.2条的要求。 开关外观及结构应无损坏。	试件在60 $\pm$ 2 $^{\circ}$ C, 90-95%RH的温控箱内保持96小时, 然后在正常温度和湿度下恢复1小时, 并在此后1小时内对试品进行测量, 水滴应消失。		
7.4	Temperature Cycling		After 4 cycles of following conditions, the switch can stay under normal temperature and humidity conditions for 2 hours, and measurement shall be made within 1 hour after that. Water drops shall be eliminated.		
	温度转换		试件按下述实验条件试验 4个循环, 然后在正常温度 和湿度下恢复 2小时, 并在此后 1小时内对试品进行测量, 水滴应消失。		
<b>8. Material List 材料清单</b>					
No. 序号	零部件名称 Parts Name	数量 Quantity	材料, 规格 Material and Specifications	防火等级 Prevent fire grade	备注 Remarks
1	外壳 Cover	1	PA		
2	防水壳 Base	1	PA		
3	按钮 Actuating button	1	POM		
4	密封圈 Sealed Circle	1	Silicone Rubber		
5	COM端子 COM Terminal	1	Cu Alloy		Ag PLATED

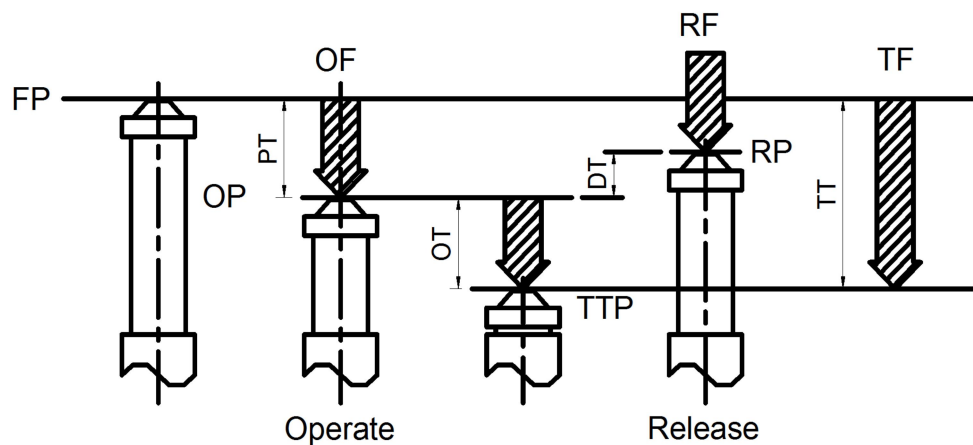
## KINGHOR SWITCH

## PRODUCT SPECIFICATION 产品规格书

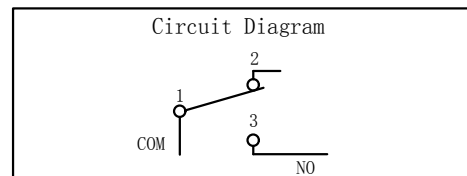
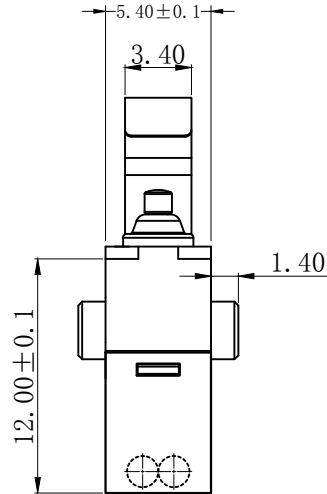
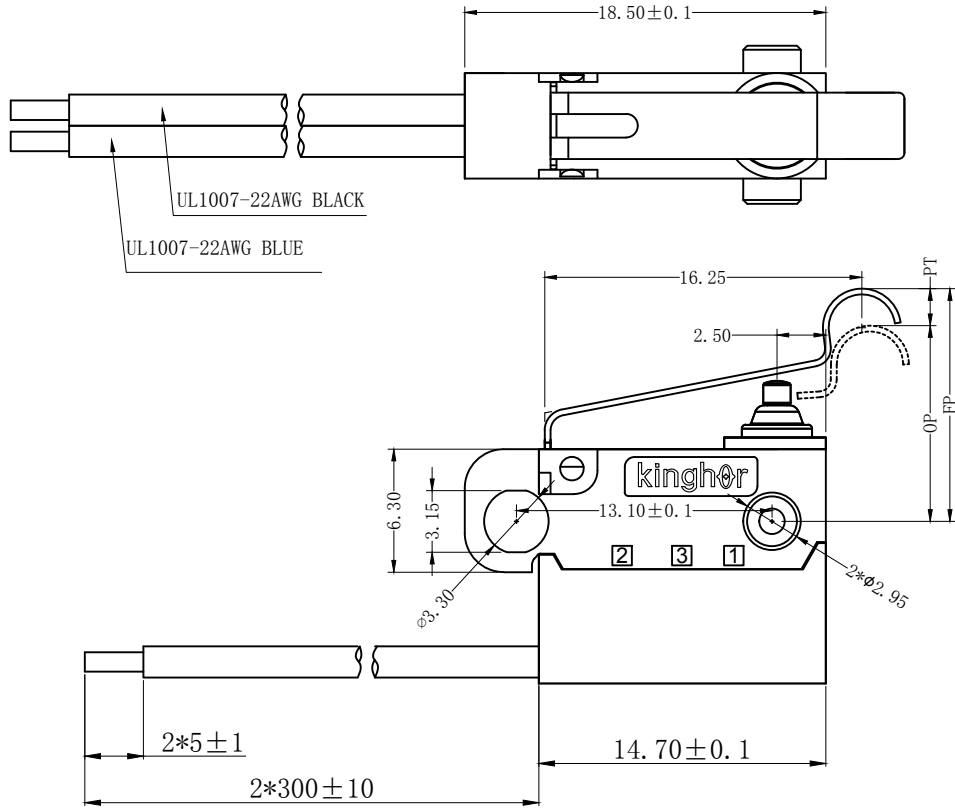
文件编号	FILE NO.	H3-B1-1B05W2-2-300	文件版次	EDITION	A1
产品编码	PART NO.	H3-B1-1B05W2-2-300			
产品描述	Product Name	Micro Switch			
6	弹簧 Spring	1	SWP		
7	动片 Moving Blade	1	Cu Alloy		Ag PLATED
8	动片触点 MB Contact	1	Ag Alloy		
9	NO 端子 NO Terminal	1	Cu Alloy		Ag PLATED
10	NO 端子触点 NO Contact	1	Ag Alloy		
11	NC 端子 NC Terminal	1	Cu Alloy		Cut the terminal
12	手柄 Handle	1	SUS		
13	电线 Electric Wire	2	UL1007-22AWG		
14	密封胶水 Sealed Glue	0.01g	Silicone Rubber		
15	防水壳胶水 Waterproof Shell Glue	0.5g	Epoxy Resin		

## 9. Operating data diagram 操作参数示意图

OF :Operating Force      OP : Operating Position      TT :Total Travel  
 RF :Release Force      TTP: Total Travel Position      TF :Total travel Force  
 RP :Release Position      FP : Free Position      PT :Pre Travel  
 OT :Over Travel      DT : Differential Travel



REV	MARK	DESCRIPTION	DRAFTED. BY	DATE



ELECTRICAL DATA	
RATING	OPERATING LIFE
3A 12VDC	100,000 CYCLES
0.1A 48VDC 125/250VAC	100,000 CYCLES

MECHANICAL LIFE	500,000 CYCLES
GAP TYPE	MICRO
OPERATING TEMP	-25°C ~ +85°C
WATERPROOF	IP67

CHARACTERISTICS	
OPERATING FORCE (OF) :	200gf Max.
RELEASE FORCE (RF) :	25gf Min.
OPERATING POSITION:	10.50 ± 0.7 mm.
PRE TRAVEL:	3.00mm Max.
DIFFERENTIAL TRAVEL:	0.70mm Max.
FREE POSITION:	13.50mm Max.

OUTLINE DRAWING				TOLERANCE UNLESS OTHERWISE SPECIFIED						
TITLE	H3 SERIES MICRO SWITCH			≤3	1~3	3~10	10~30	30~100	100~200	ANGLE
MODEL	H3-B1			±0.2	±0.3	±0.4	±0.6	±1.0	±1.5	±3.0°
PART NO.	H3-B1-1B05W2-2-300									
DRAFTED BY	Bing Wang	DATE	2021-9-8							
CHECKED BY	Hua Bai	DATE	2021-9-8							
APPROVED BY	Hong Chen	DATE	2021-9-8	SCALE		UNIT		VERSION REV		A1
				mm		mm		<b>KINGHOR</b> SWITCHES AND CONTROL EXPERT		
				mm		mm				